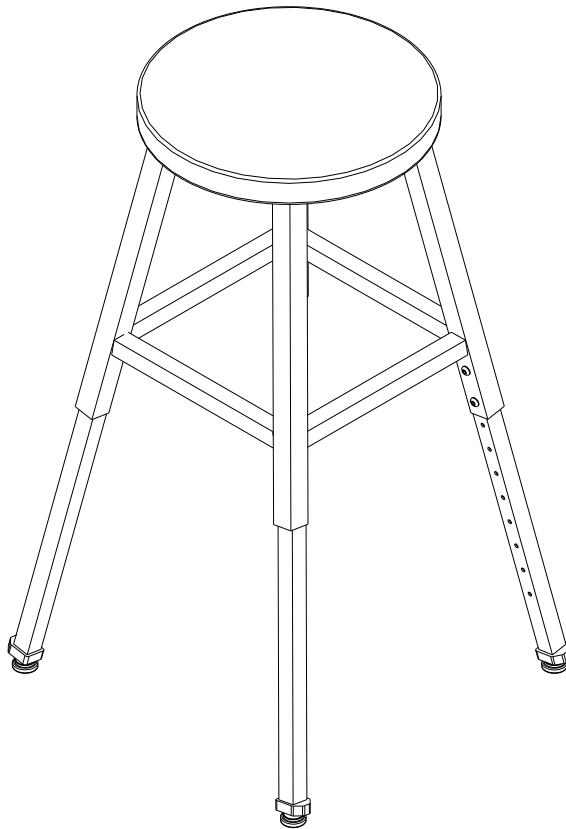




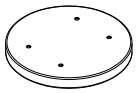
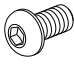
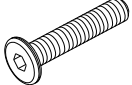
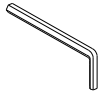
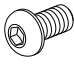
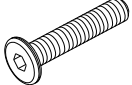
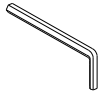
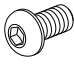
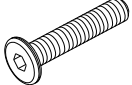
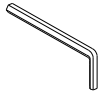
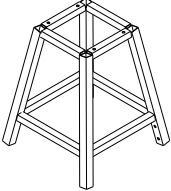
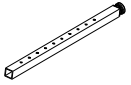
#34419 Adjustable Height Stool
Gray Frame w/Natural Wood Finish



Assembly Instructions

#34419

Adjustable Height Stool

Part	Drawing	Description	Qty	Part	Drawing	Description	Qty												
P1		Seat	1 EA	<div style="border: 2px solid black; border-radius: 15px; padding: 10px;"> <p style="text-align: center;">Hardware List</p> <table border="0"> <tr> <td>A</td> <td></td> <td>Socket Screw M6X8mm</td> <td>8 EA</td> </tr> <tr> <td>A1</td> <td></td> <td>Socket Hd Screw M6X35mm</td> <td>4 EA</td> </tr> <tr> <td>B</td> <td></td> <td>Allen Wrench</td> <td>1 EA</td> </tr> </table> </div>				A		Socket Screw M6X8mm	8 EA	A1		Socket Hd Screw M6X35mm	4 EA	B		Allen Wrench	1 EA
A		Socket Screw M6X8mm	8 EA																
A1		Socket Hd Screw M6X35mm	4 EA																
B		Allen Wrench	1 EA																
P2		Upper Leg Frame	1 EA																
P3		Lower Leg Insert	4 EA																

We recommend that you assemble this unit on a table.

**Should you require assistance during assembly,
please call our Customer Service Department
Monday - Friday 8 a.m. - 5 p.m.
Central Standard Time 1-800-749-2258**

Important

The Balt product you have purchased is guaranteed against material and workmanship defects. This guarantee extends 1 year from date of purchase. Should this product fail to function satisfactorily under normal use due to defect or imperfection, the defective part or product will be replaced. Damage caused by common carriers during shipment is not included in this guarantee.

This guarantee sets forth all applicable guarantees and remedies. No other warranty, expressed or implied shall apply. Failure to follow instructions found in Important Information Section of Owner Sheet shall void the guarantee. Consequential or incidental damages and or costs are not refundable.

Do not use unless all screws are tight. At least every six months, check all screws to be sure they are tight. If parts are missing, broken, damaged, or worn, stop use of the product until repairs are made by your dealer using factory authorized parts.

