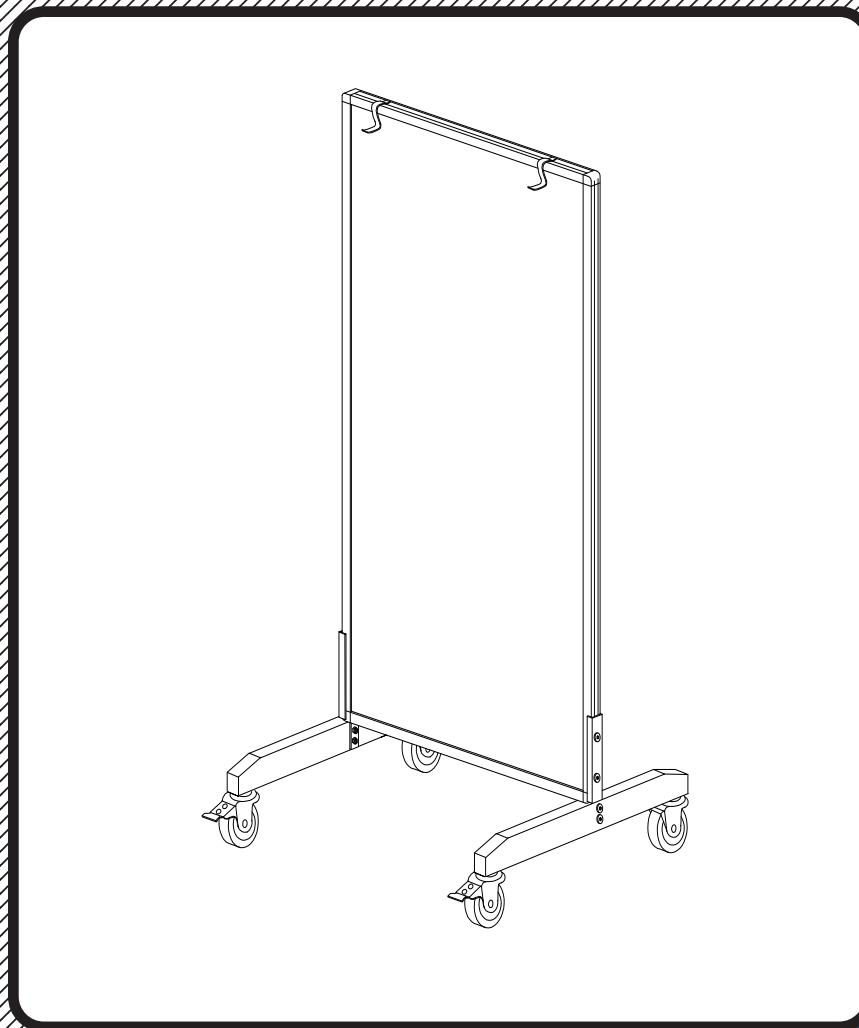


62406

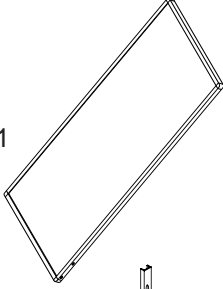
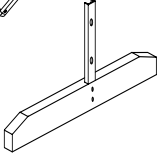
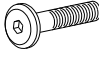
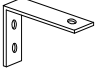
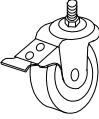


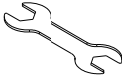





Trek Mobile Room Divider



# Assembly Instructions

# 62406

## Trek Mobile Room Divider

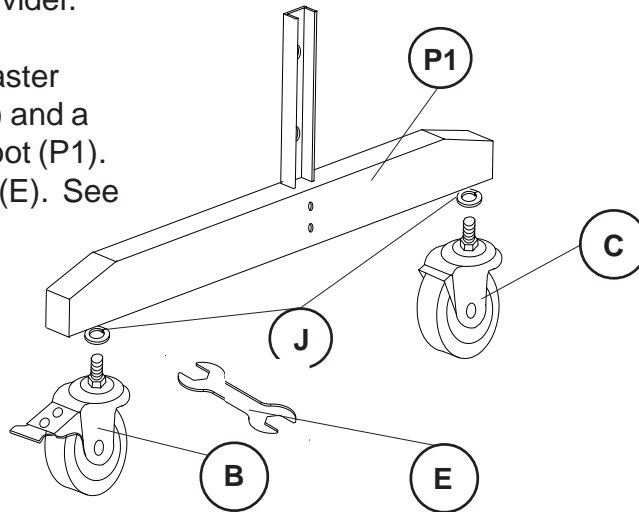
Part	Drawing	Description	Qty	Part	Drawing	Description	Qty
P1		Panel	1 EA	<b>Hardware List</b>			
P2		Foot	2 EA	A		Long Socket Screw	4 EA
P3		L Bracket	2 EA	B		Locking Caster	2 EA
				C		Caster	2 EA
				D		Allen Wrench	2 EA
				E		Caster Wrench	1 EA
				F		Chart Hook	2 EA
				G		Nut	4 EA
				H		CS Screw	4 EA
				I		Small Socket Screw	2 EA
				J		Lock Washer	4 EA

# Trek Assembly Diagram

**READ THROUGH INSTRUCTIONS FROM BEGINNING TO END BEFORE STARTING TO ASSEMBLE UNIT.**

Illustration # 1

- 1.) Separate and Identify all the parts and hardware that come with your new Trek Divider.
- 2.) Place a Lock Washer (J) on each Caster Stem. Screw in a Locking Caster (B) and a Caster (C) into the bottom of each Foot (P1). Tighten Casters with Caster Wrench (E). See illustration # 1.



- 3.) Attach a L Bracket (P3) to the inside of each Foot Assembly using two Long Screws (A) and two nuts (G) as shown in illustration #2. Make sure your feet are turned as shown in illustration #2 before you attach the L Brackets.

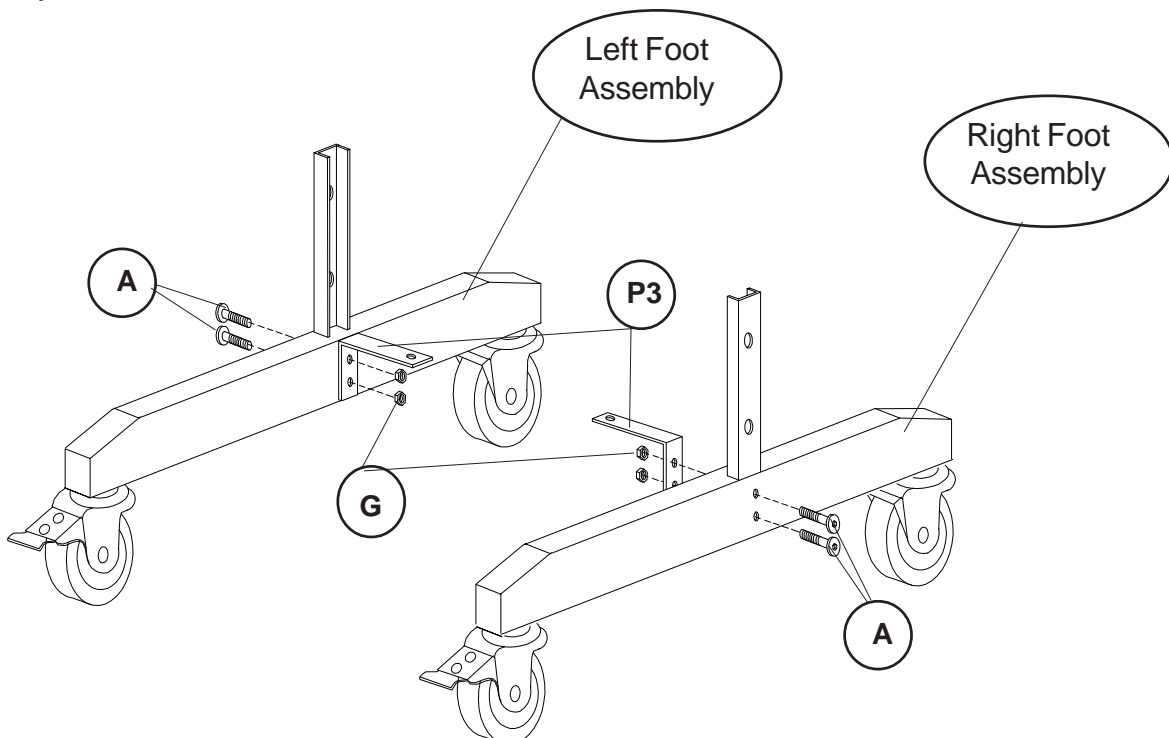
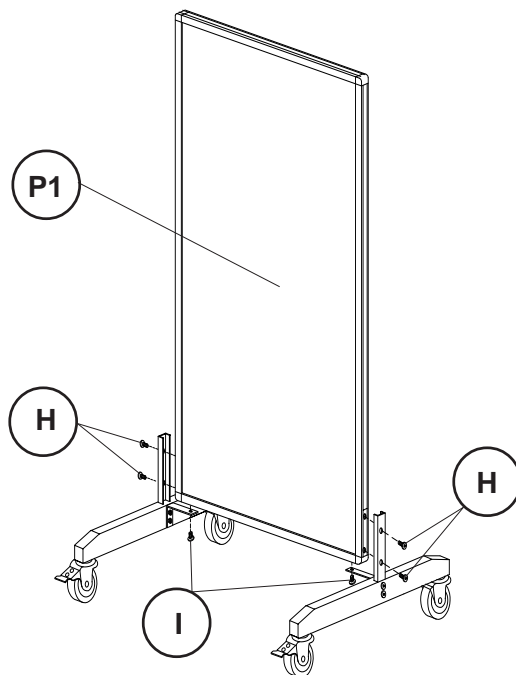


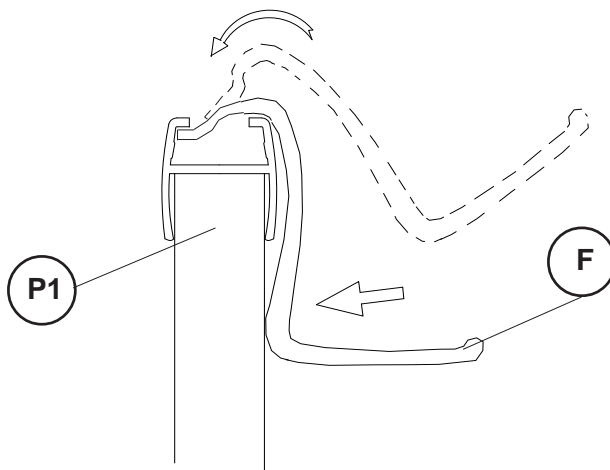
Illustration # 2

4.) Attach the Right Foot Assembly to the bottom of the Panel (P1) using two CS Screws (H) in from the side and one Small Screw (I) up from the bottom as shown in illustration #3. Make sure the Screws are threading into the steel screw blocks that are factory installed in the side and bottom trims. Repeat this Step to attach the Left Foot Assembly. Tighten all Screws with Allen Wrench (D).



**Illustration # 3**

5.) Hook the Chart Hooks (F) into the groove in the top of the Panel (P1) as shown in illustration #4.



**Illustration # 4**