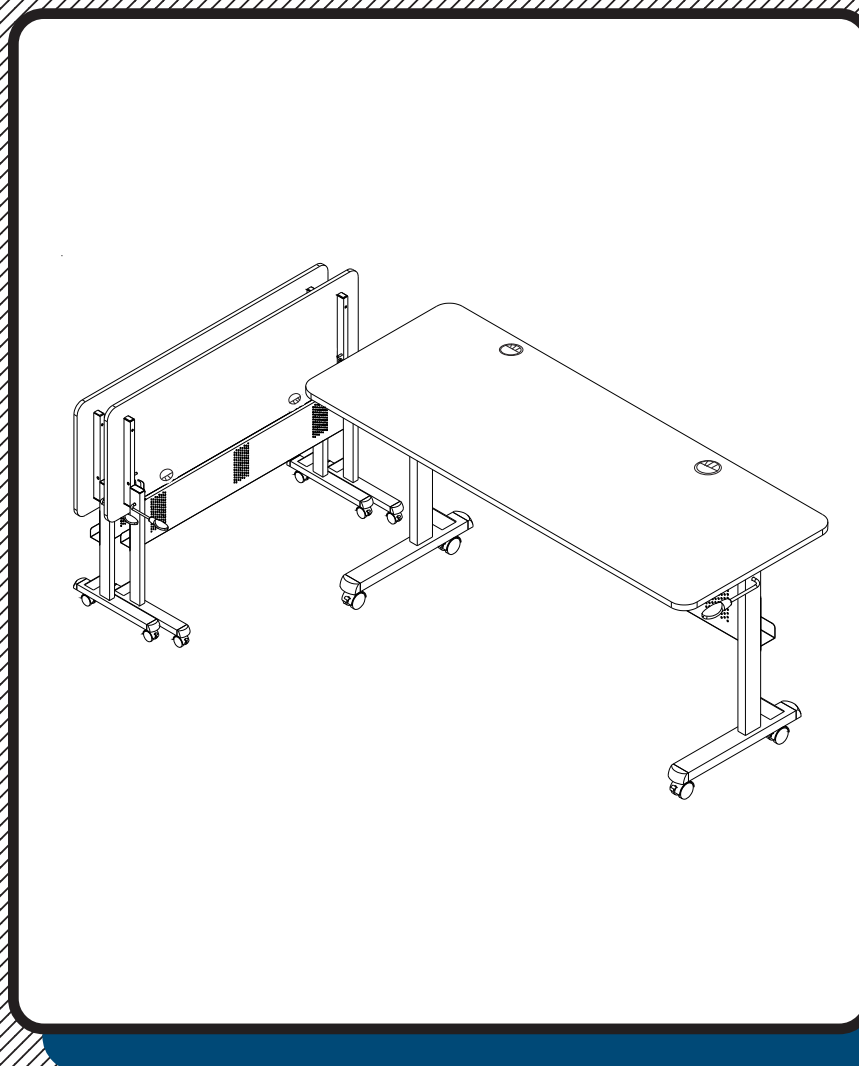
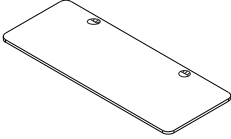
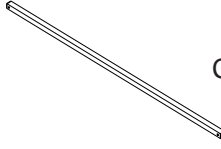
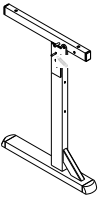
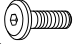
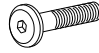
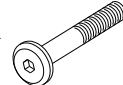



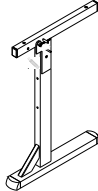
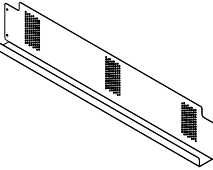
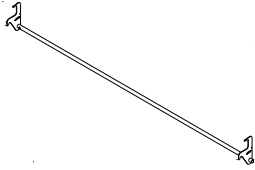
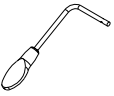



Flipper-60



Assembly Instructions

Flipper-60

Part	Drawing	Description	Qty	Part	Drawing	Description	Qty
P1		Top Platform	1 EA	P8		Crossbrace	1 EA
P2		Left Leg	1 EA	<div style="border: 2px solid black; border-radius: 15px; padding: 10px; text-align: center;"> <p>Hardware List</p> <p>A  9/16" Socket Screw 4 EA</p> <p>A1  1-3/8" Socket Screw 2 EA</p> <p>B  1-7/8" Socket Screw 4 EA</p> <p>D  2" Locking Caster 4 EA</p> <p>E  Allen Wrench 1 EA</p> <p>F  Caster Wrench 1 EA</p> </div>			
P3		Right Leg	1 EA				
P4		Metal Stability Panel	1 EA				
P5		Welded Rod Assembly	1 EA				
P6		Left Side Handle	1 EA				
P7		Right Side Handle	1 EA				
				<p><i>We recommend that you assemble this unit on a table.</i></p>			

Flipper-60 Assembly Diagram

READ THROUGH INSTRUCTIONS FROM BEGINNING TO END BEFORE STARTING TO ASSEMBLE UNIT.

- 1.) Identify and Separate all the Parts and Hardware.
- 2.) Slide the Right Side Handle (P7) Through the Right Leg (P-3) and into the Welded Rod (P5) as shown in illustration #1. Rotate Right Side Handle (P7) until holes are aligned (See illustration#1). Secure using 1 Screw (A).
- 3.) Slide the Left Side Handle (P6) Through the Left Leg (P-2) and into the Welded Rod (P5) as shown in illustration #1. Rotate Left Side Handle (P6) until holes are aligned (See illustration #1). Secure using 1 Screw (A).

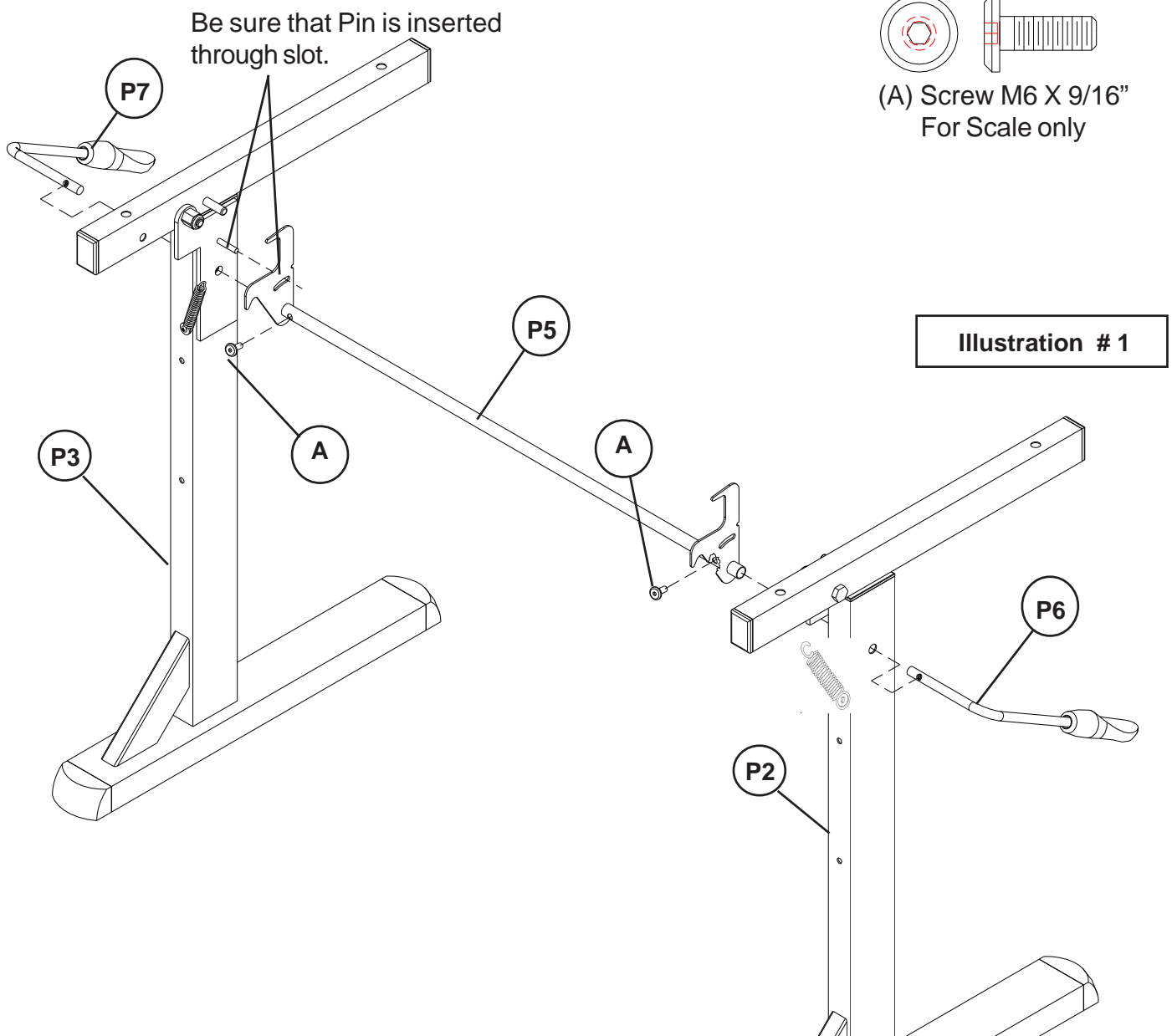
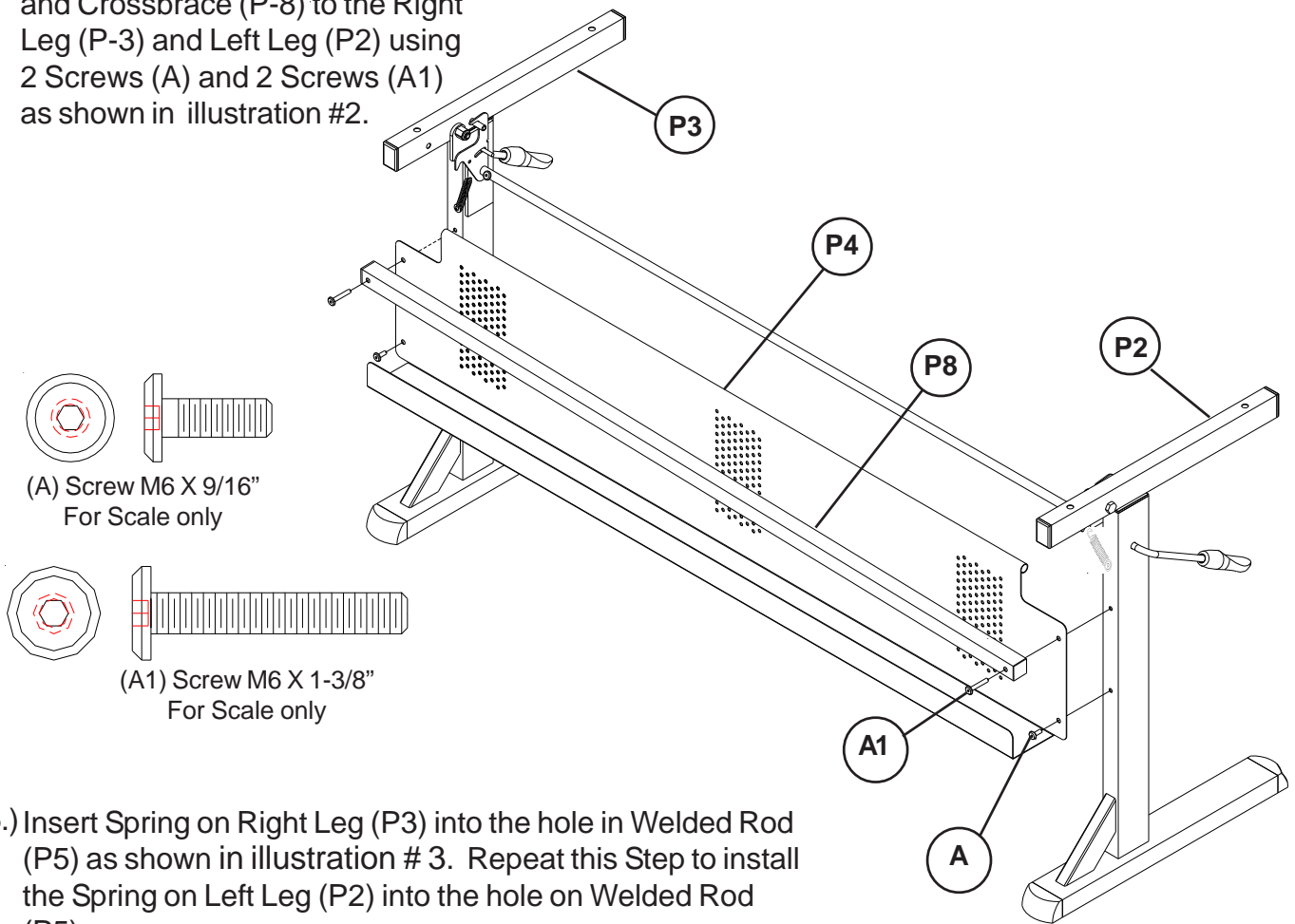
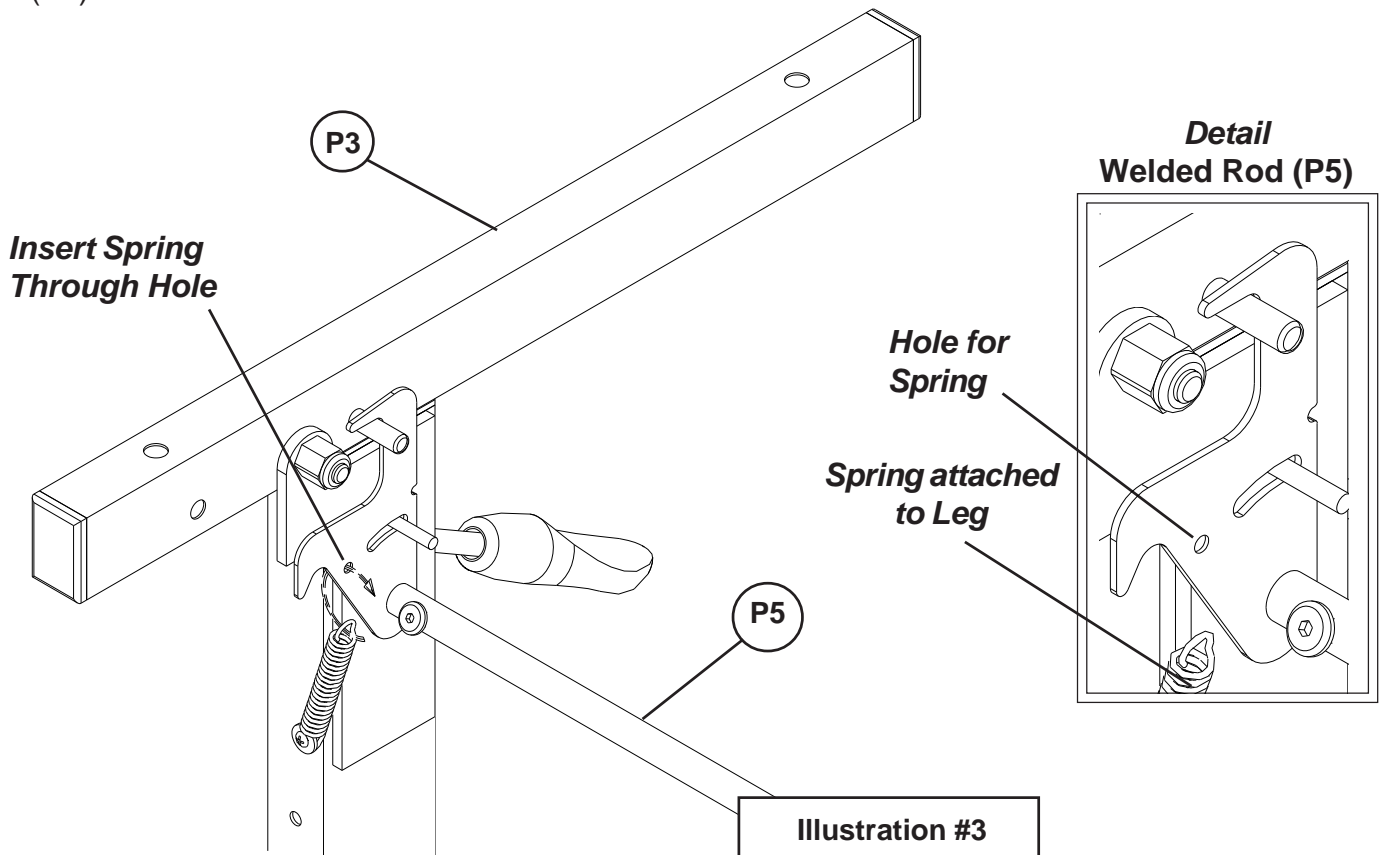


Illustration #2

4.) Attach Metal Stability Panel (P4) and Crossbrace (P-8) to the Right Leg (P-3) and Left Leg (P2) using 2 Screws (A) and 2 Screws (A1) as shown in illustration #2.



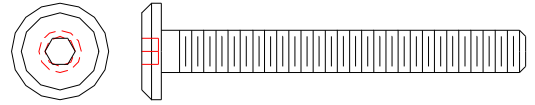
5.) Insert Spring on Right Leg (P3) into the hole in Welded Rod (P5) as shown in illustration # 3. Repeat this Step to install the Spring on Left Leg (P2) into the hole on Welded Rod (P5).



6.) Place the Top Platform (P1) with the insert nuts facing up. Attach Right Leg (P-3) and Left Leg (P2) using 4 each (B) screws as shown in illustration #4.
(Finger tighten only)

7.) Attach 4 each (D) Locking Casters to the front and back of the Right Leg (P-3) and Left Leg (P2). Tighten Casters using Caster Wrench (F).

(Tighten all screws using Allen Wrench (E).)



(B) Screw M6 X 1-7/8"
For Scale only

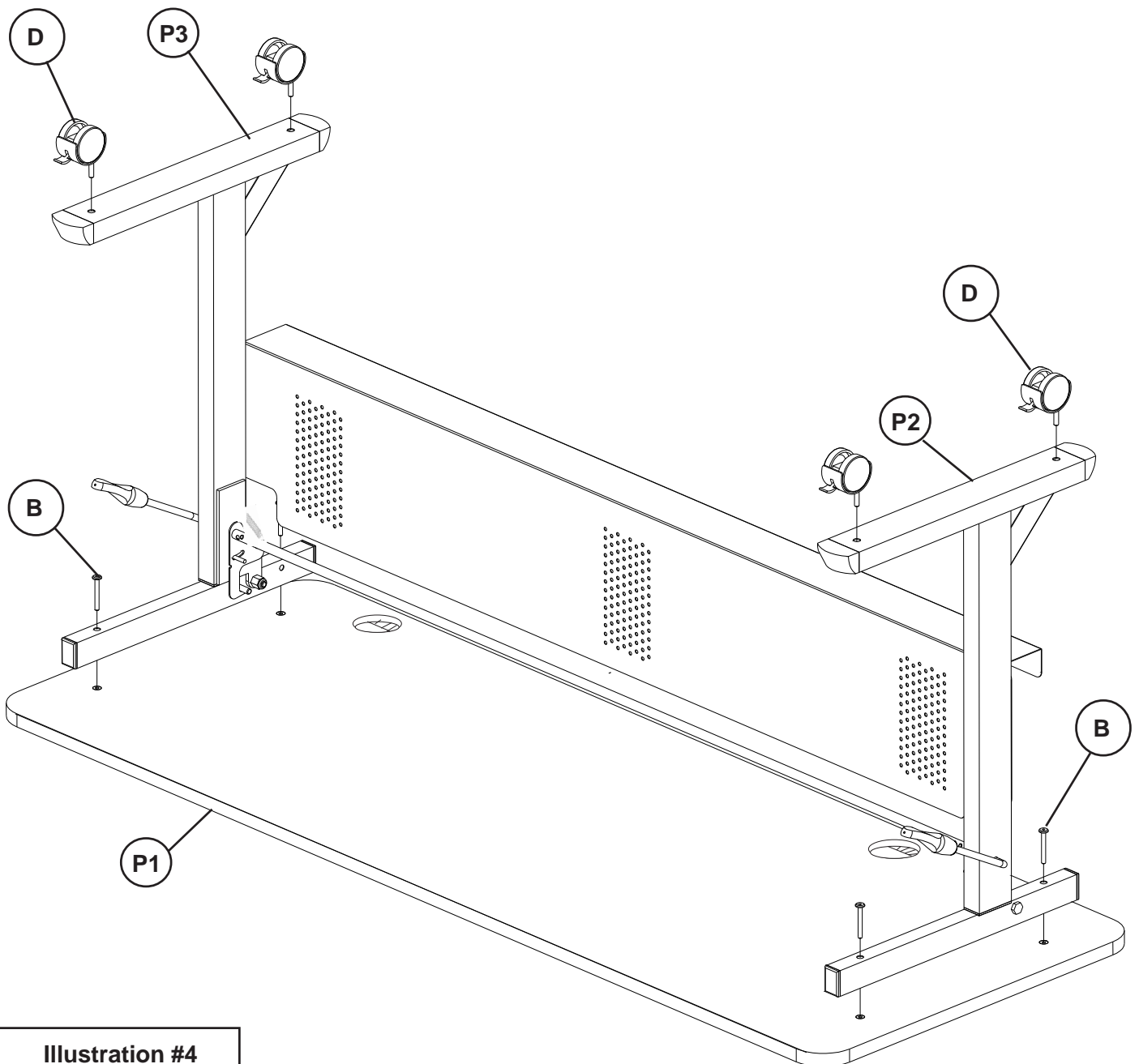


Illustration #4

Flipper-60

