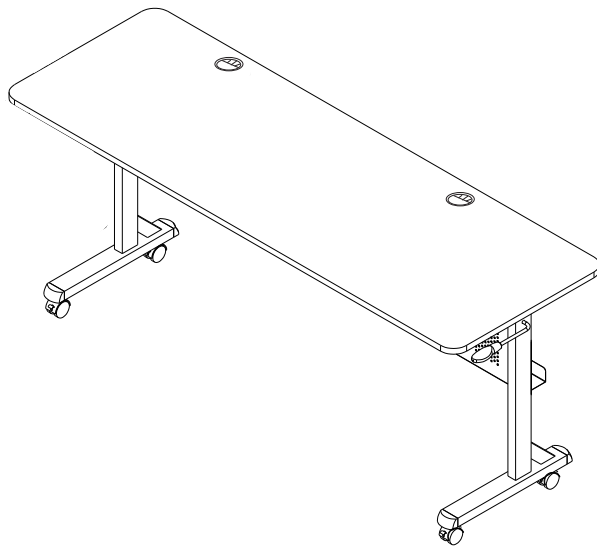
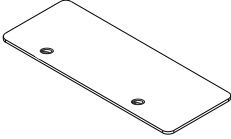
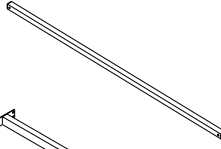
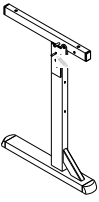
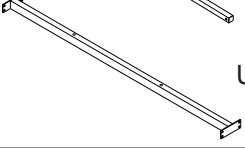
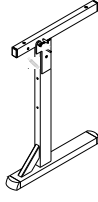
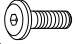
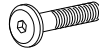
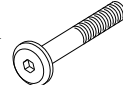



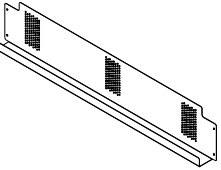
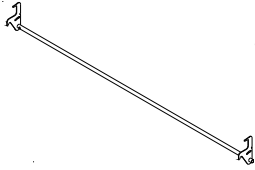
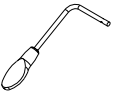



# Flipper-72



## Assembly Instructions

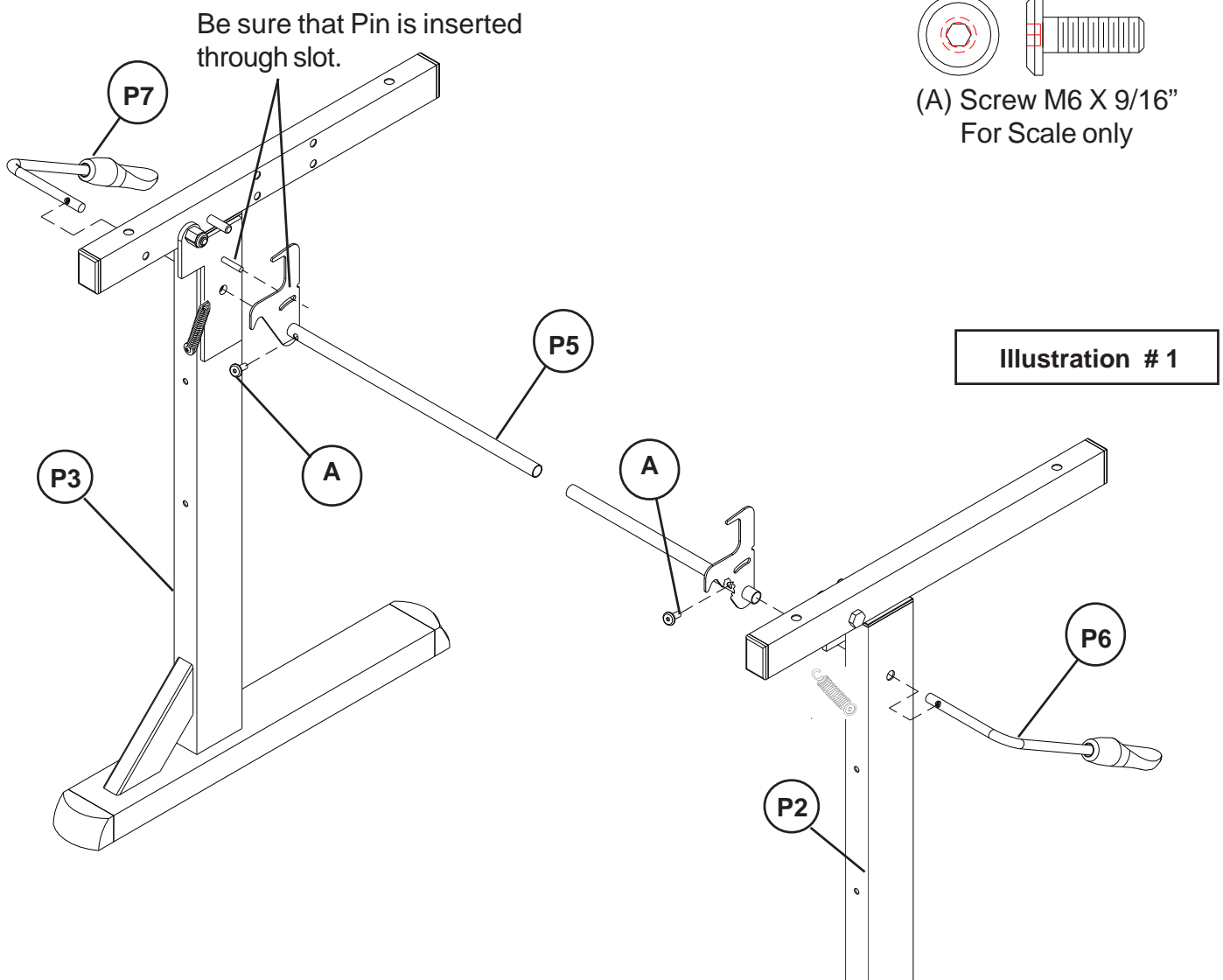
# Flipper-72

Part	Drawing	Description	Qty	Part	Drawing	Description	Qty
P1		Top Platform	1 EA	P8		Lower Crossbrace	1 EA
P2		Left Leg	1 EA	P9		Upper Crossbrace	1 EA
P3		Right Leg	1 EA	<div style="border: 2px solid black; border-radius: 15px; padding: 10px; text-align: center;"> <p><b>Hardware List</b></p> <p>A  9/16" Socket Screw 12 EA</p> <p>A1  1-3/8" Socket Screw 2 EA</p> <p>B  1-7/8" Socket Screw 6 EA</p> <p>D  2" Locking Caster 4 EA</p> <p>E  Allen Wrench 1 EA</p> <p>F  Caster Wrench 1 EA</p> </div>			
P4		Metal Stability Panel	1 EA				
P5		Welded Rod Assembly	1 EA				
P6		Left Side Handle	1 EA				
P7		Right Side Handle	1 EA				

# Flipper-72 Assembly Diagram

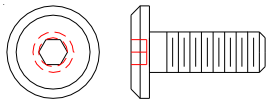
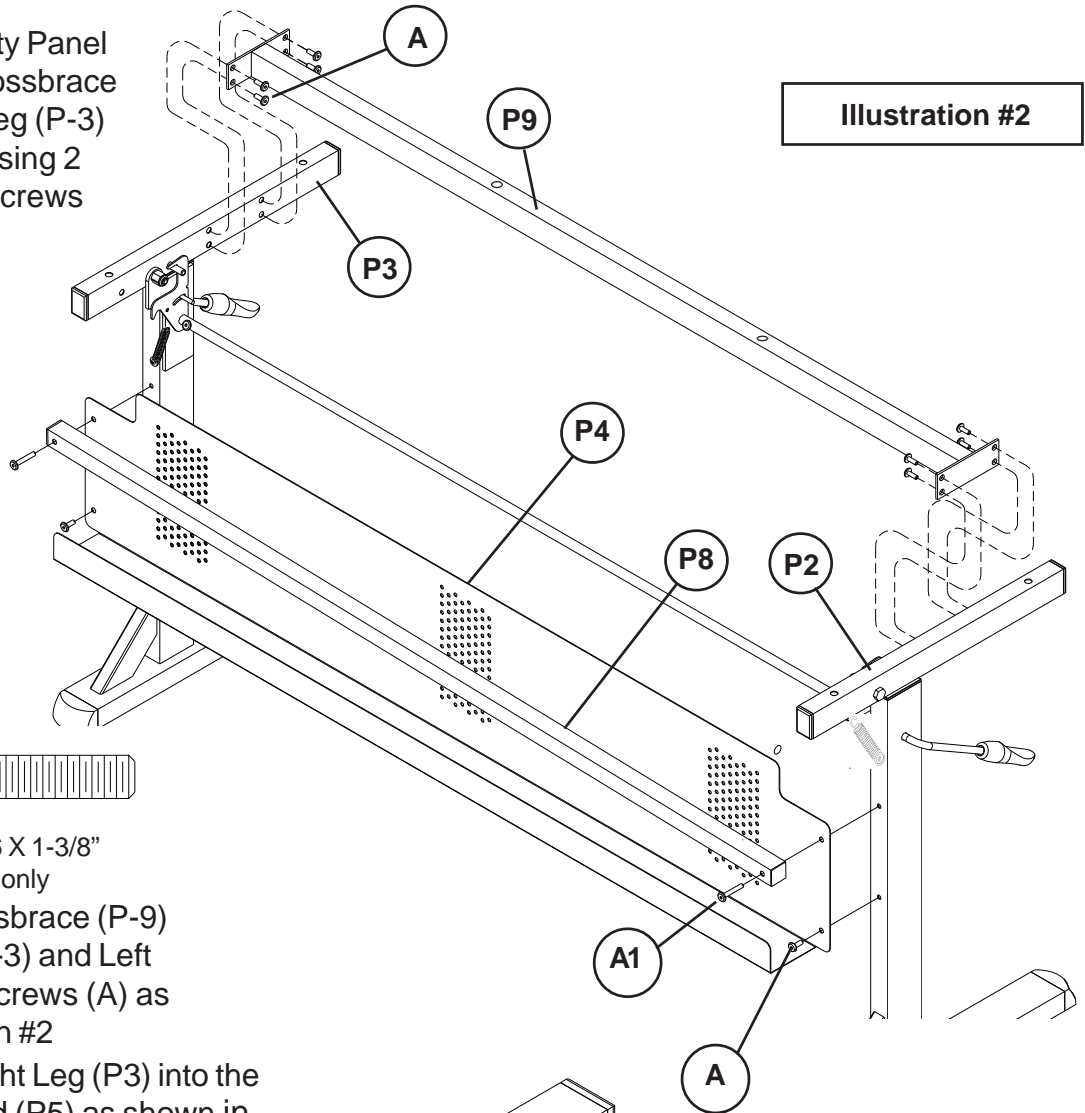
**READ THROUGH INSTRUCTIONS FROM BEGINNING TO END BEFORE STARTING TO ASSEMBLE UNIT.**

- 1.) Identify and Separate all the Parts and Hardware.
- 2.) Slide the Right Side Handle (P7) Through the Right Leg (P-3) and into the Welded Rod (P5) as shown in illustration #1. Rotate Right Side Handle (P7) until holes are aligned (See illustration#1). Secure using 1 Screw (A).
- 3.) Slide the Left Side Handle (P6) Through the Left Leg (P-2) and into the Welded Rod (P5) as shown in illustration #1. Rotate Left Side Handle (P6) until holes are aligned (See illustration #1). Secure using 1 Screw (A).



4.) Attach Metal Stability Panel (P4) and Lower Crossbrace (P-8) to the Right Leg (P-3) and Left Leg (P2) using 2 Screws (A) and 2 Screws (A1) as shown in illustration #2.

Illustration #2



(A) Screw M6 X 9/16"  
For Scale only



(A1) Screw M6 X 1-3/8"  
For Scale only

5.) Attach Upper Crossbrace (P-9) to the Right Leg (P-3) and Left Leg (P2) using 8 Screws (A) as shown in illustration #2

6.) Insert Spring on Right Leg (P3) into the hole in Welded Rod (P5) as shown in illustration # 3. Repeat this Step to install the Spring on the Left Leg (P2) into the Welded Rod (P5).

Detail

Welded Rod (P5)

**Insert Spring Through Hole**

P3

**Hole for Spring**

**Spring attached to Leg**

P5

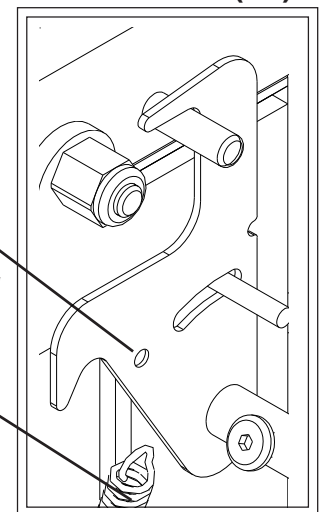
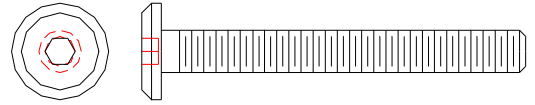


Illustration #3

7.) Place the Top Platform (P1) with the insert nuts facing up. Attach Right Leg (P-3) and Left Leg (P2) using 6 each (B) screws as shown in illustration #4.  
**(Finger tighten only)**

8.) Attach 4 each (D) Locking Casters to the front and back of the Right Leg (P-3) and Left Leg (P2). Tighten Casters using Caster Wrench (F).

**(Tighten all screws using Allen Wrench (E).)**



(B) Screw M6 X 1-7/8"  
For Scale only

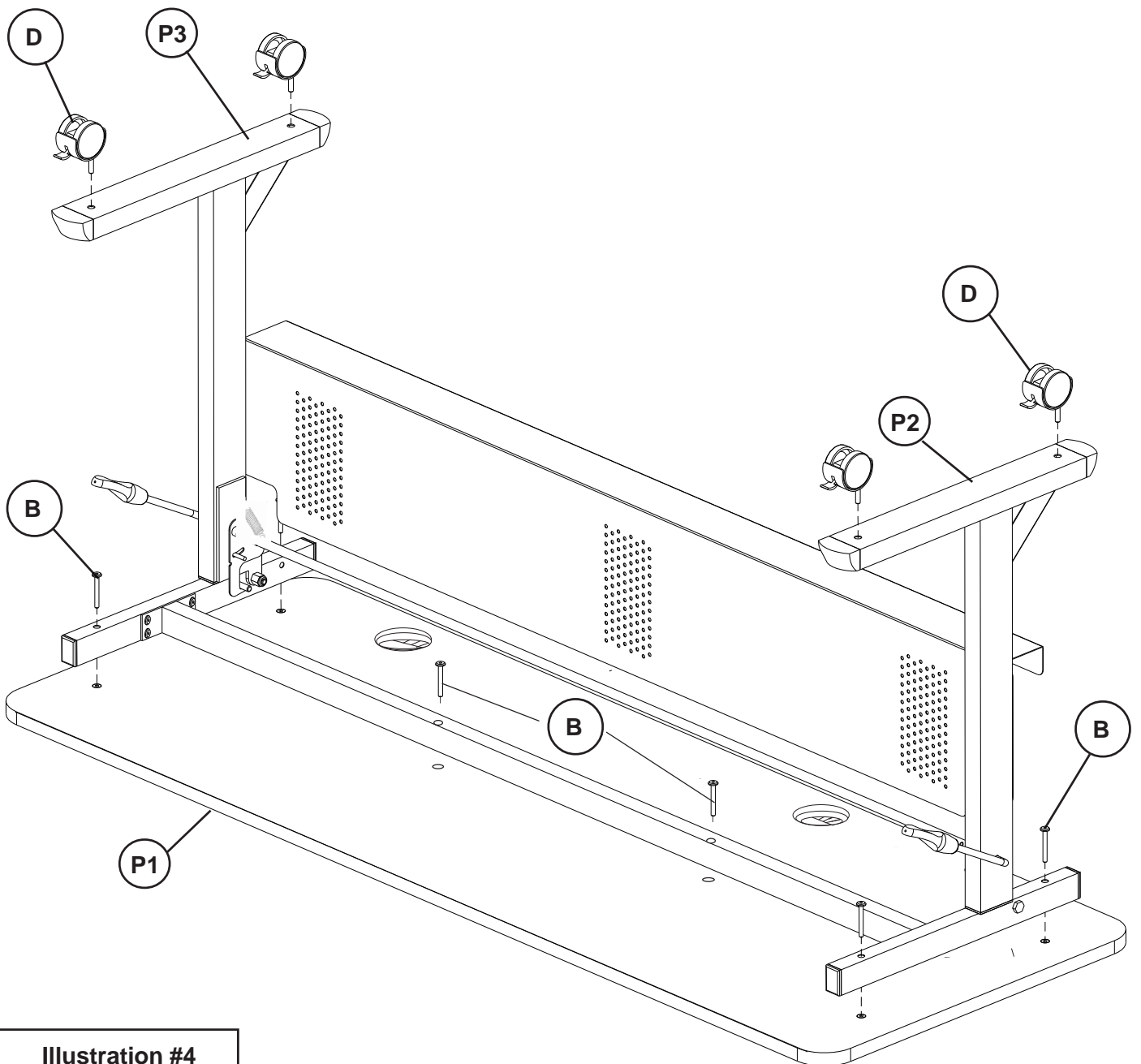


Illustration #4

# Flipper-72

