

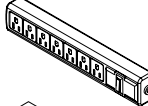
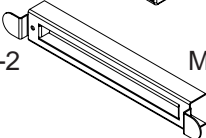
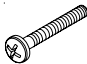

# #66572

## 7 Outlet Electrical Assembly Diagram

***This 7 Outlet electrical is Part # 66572  
and must be purchased separately.***

***Please contact our  
Customer Service Department  
Monday - Friday  
8 a.m. - 5 p.m.  
Central Standard Time  
1-800-749-2258***

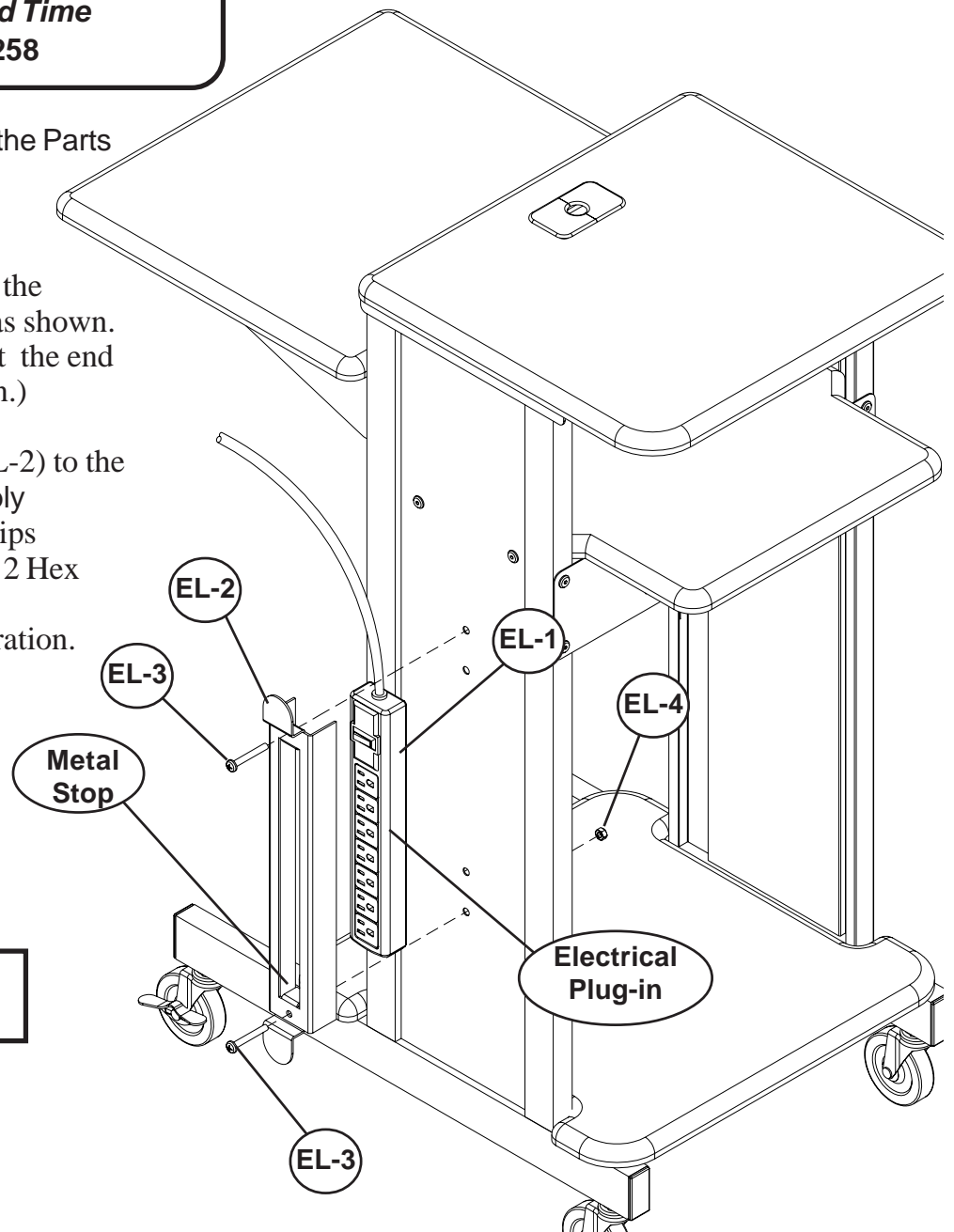
### Parts/Hardware List

EL-1		7 Outlet Electrical	1 EA
EL-2		Metal Bracket w/Cord Winder	1 EA
EL-3		Phillips Head Screw	2 EA
EL-4		Hex Nut	2 EA

1.) Identify and Separate all the Parts and Hardware.

2.) Slide Metal Bracket over the Electrical Outlet (EL-1) as shown. (note that Metal Stop is at the end with the electrical Plug-in.)

3.) Attach Metal Bracket (EL-2) to the Right or Left Leg Assembly (P-1 or P-2) using 2 Phillips Head Screws (EL-3) and 2 Hex Nuts (EL-4) as shown in Optional Electrical illustration.



**Optional Electrical  
Illustration**