

Rechargeable Power Tower

Model No: 27763-PL, 27763-BK, 27763-WT, 27766

OVERVIEW

The Rechargeable Power Tower provides at-hand USB charging ports for Chromebooks, smart phones, iPads, and other mobile computing devices to multiple users.

TOWER

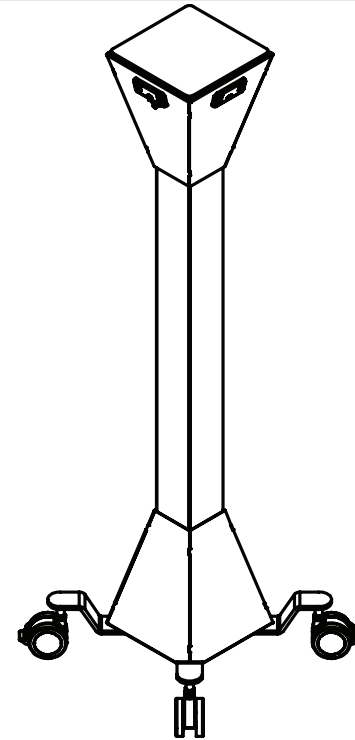
The tower is made of 14 Ga powder coated steel with a removable plate on one side to access the batteries and the circuit board. This plate is attached with one M4 x 5mm phillips head screw at the top and bottom. One battery comes preinstalled in the tower and there are mounting spaces for two additional batteries. The base of the tower holds a switching power supply and is attached to the main body of the tower with four M4 x 5mm phillips-head screws. Four 7 1/4" long, 4Ga Steel legs are fixed to the base plate with two M6 x 15mm socket head screws each. Four 2.5" dual-wheel casters (two locking) are attached to the legs using M10 x 20mm stems. The tower features a display button with a 5-stage battery charge indicator so you know when it's time to plug in and recharge. It can provide charging for Chromebooks, smart phones, iPads, and other mobile computing devices. The tower has four USB-C and eight USB-A ports that can allow for up to 12 devices charging at a time.

BATTERY

The Rechargeable Mobile Power Tower Battery is a 10.89V 26.8Ah battery pack that measures 2.75"H x 6.5"W x 2.63"D. The battery contains twenty four 18650 lithium ion Samsung INR18650-35E cells. The battery is contained in a soft pack and then in a secondary 18Ga Steel enclosure. Each battery has a quick connect that can only be engaged in the correct orientation.

CHARGING

USB-A ports provide 12W, 5V max charging. Specific amperage and voltage will vary by device. USB-C provides up to 45W through 5V, 9V, 12V, 15V, or 20V profiles if power delivery fast charging is established with the device. USB-C without power delivery will provide up to 15W, 5V of power



OPTIONS / ACCESSORIES

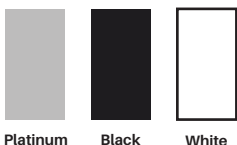
The Rechargeable Power Tower comes with one battery but has room for two more that can be purchased separately to triple the amount of time you can go without recharging.

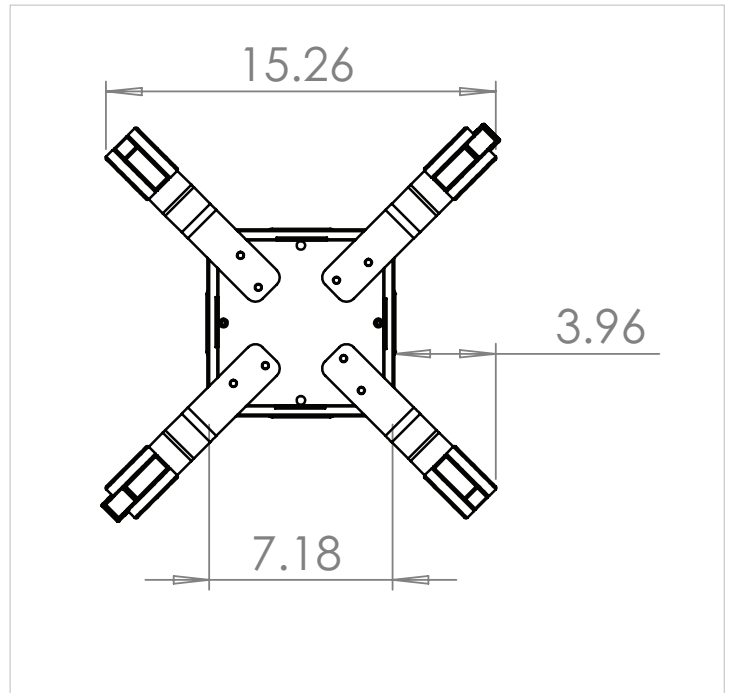
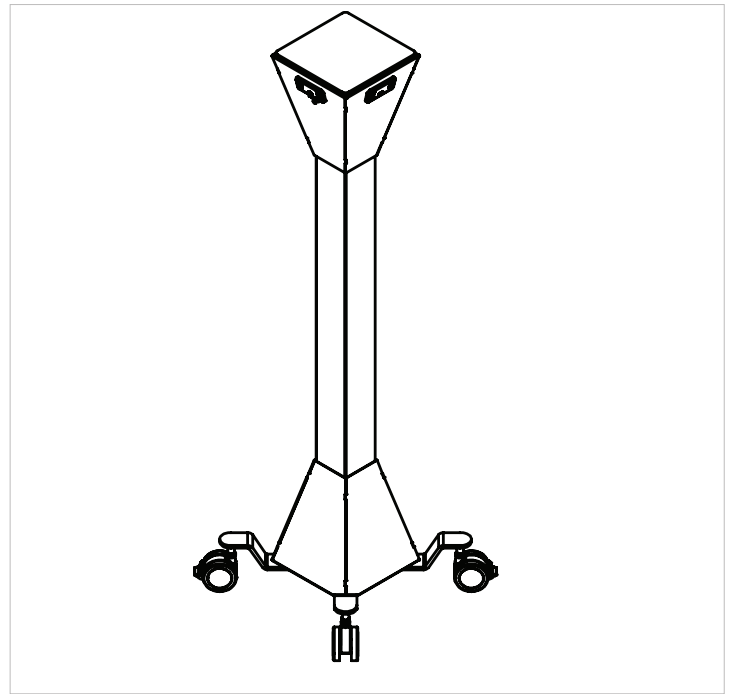
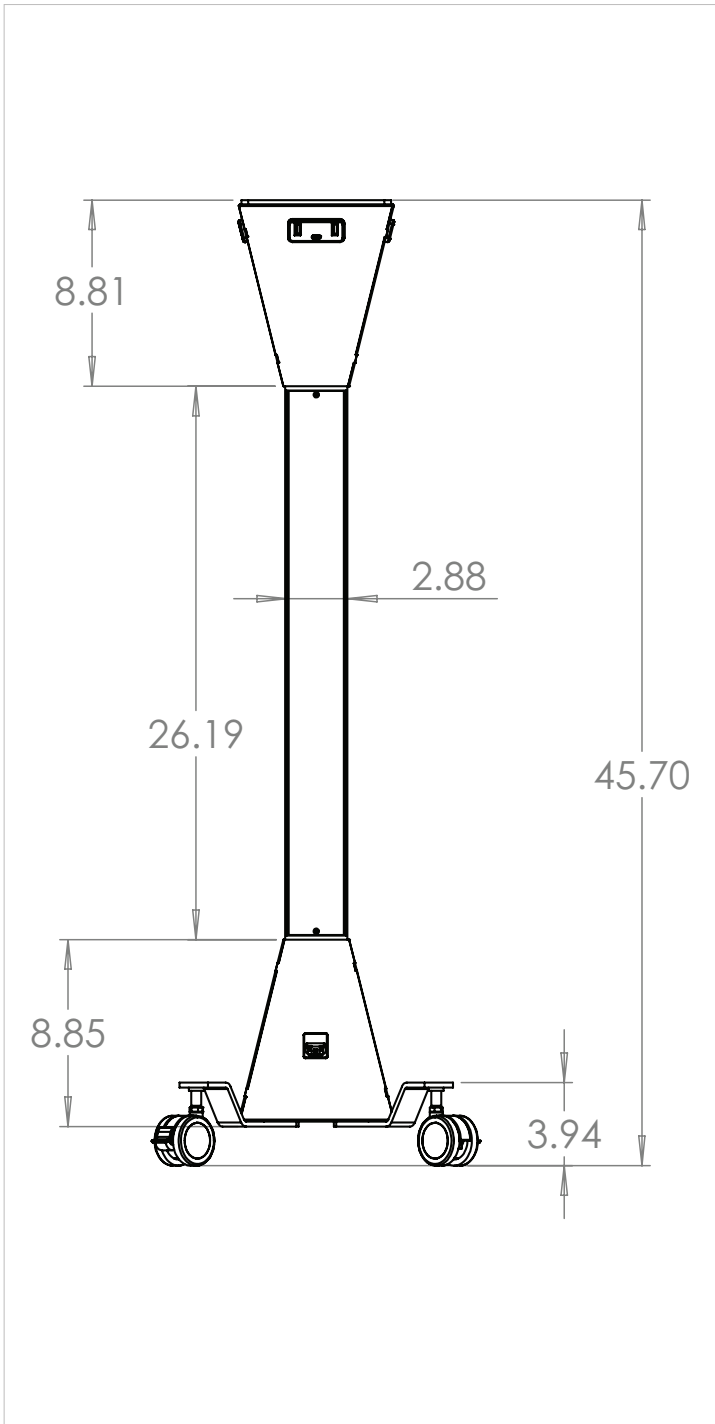
Includes a 60" cable for recharging.

COMPLIANCE

UL listed device provides overcharge and overcurrent protection.

BODY COLORS:





DIMENSIONS:

Base Model No.	Description	Dimensions
27763-PL	Rechargeable Power Tower (Platinum)	45.7"H x 15.26"W x 15.6"D
27763-BK	Rechargeable Power Tower (Black)	45.7"H x 15.26"W x 15.6"D
27763-WT	Rechargeable Power Tower (White)	45.7"H x 15.26"W x 15.6"D

ACCESSORIES:

Base Model No.	Description	Dimensions
27766	Extra Rechargeable Battery	2.75"H x 6.5"W x 2.63"D