

Pencil Drawer

Model No: 34443

OVERVIEW

Get lockable storage close at hand with this convenient drawer, ideal for documents, pens, paper clips, notepads, and any other office supplies.

CONSTRUCTION

Drawer attachment bracket frame is constructed of 16 gauge steel with 20 gauge mounting plates for securing to table top. 22 gauge hat sections reinforce the frame and support 18 gauge steel rails for drawer connection. Drawer is entirely constructed from 20 gauge steel sheet with 18 gauge slides fastened on each side.

MOUNTING HARDWARE

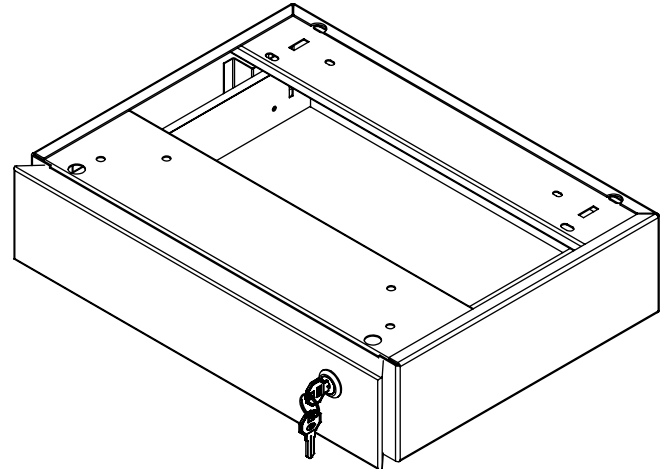
Drawer body frame mounts directly to bottom of desktop with four M4x10mm phillips head wood screws.

LOCK MECHANISM

Randomly keyed lock comes with two steel keys and uses a 14 gauge steel cam for secure storage.

COMPLIANCE

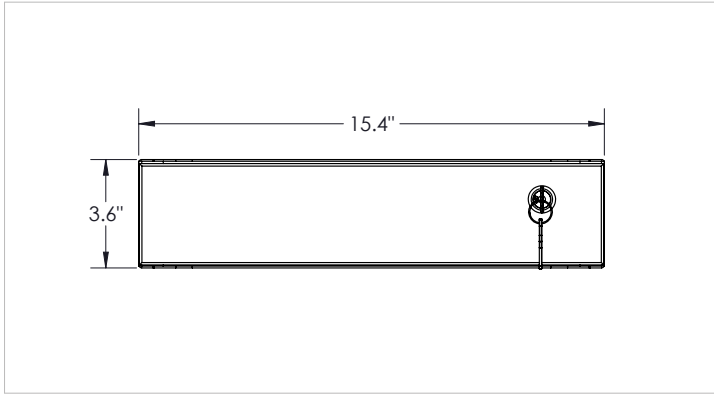
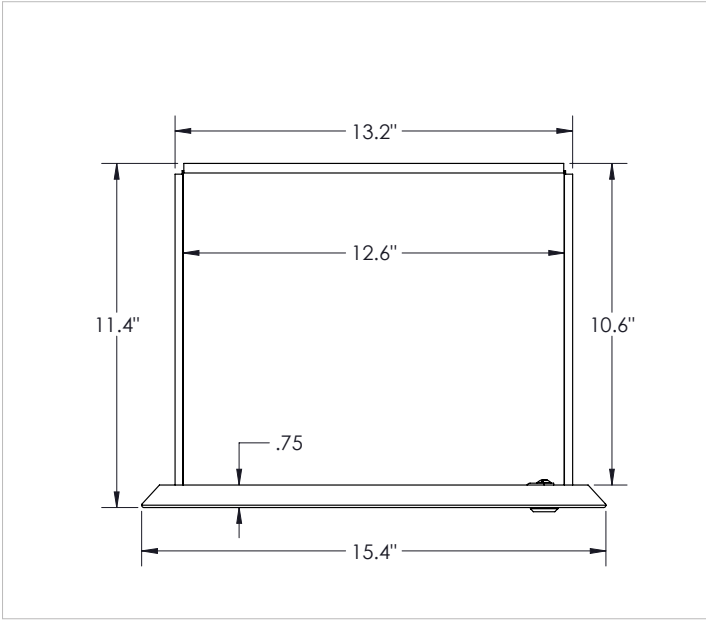
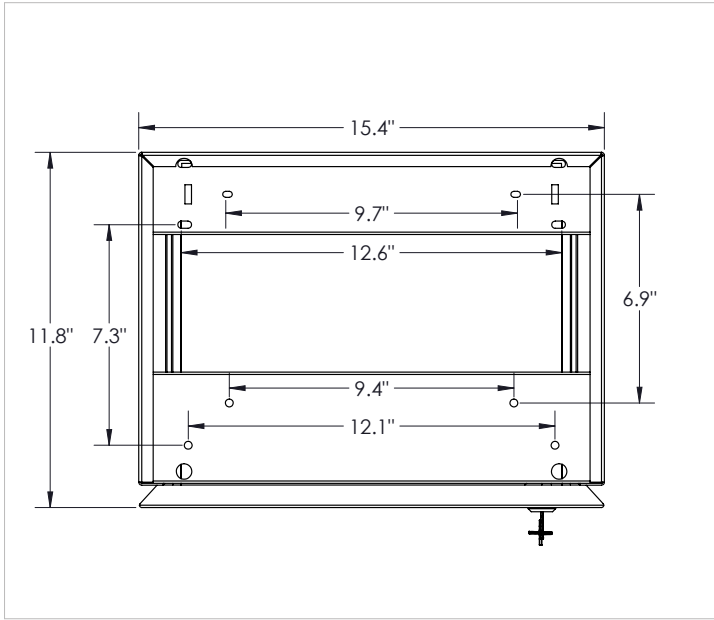
Indoor Advantage Gold certified.



BODY COLOR:



Platinum



DIMENSIONS

Base Model No.	Description	Dimensions
34443	Pencil Drawer	3.5"H x 15.5"W x 12.5"D