

Flipper Conference & Training Tables

Product Numbers: 89870, 89775M, 89863M, 89876, 89879M, 89880M

OVERVIEW

Easily create a multipurpose work area with versatile Flipper Conference & Training Tables

TOP

The top is made of 1 1/8" Particleboard Core with vacuum-formed PVC available in teak or mahogany woodgrain finish.

LEGS

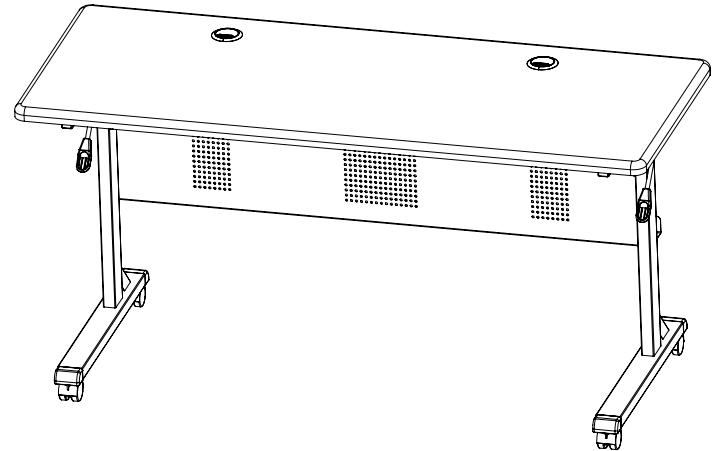
The black powder-coated frame consists of two legs, modesty panel, and flipping mechanism. The two legs are made of two 16 Ga rectangular steel tubes, one horizontal and one vertical, that are welded together with a 16 Ga steel tube brace. Front and back of each leg foot receive plastic endcaps. A 0.2" steel plate is welded to inside of each leg with attachments to flipping mechanism and a steel M8x45mm bolt with lock nut serving as pivot point to 18 Ga rectangular steel tube cross member. Cross member fixes to table top with two M8x45mm and has two 8mm diameter steel pins to secure top at horizontal and vertical positions.

MODESTY PANEL

Modesty panel is 20 Ga perforated steel with 3.25" wire management tray and attaches to back of table legs with four M8 screws.

FLIPPING MECHANISM

Flipping mechanism operates via two lever handles on outside of each leg. A 12 Ga steel bracket with curved slot rotates with lever when depressed to release front pin in cross member allowing top to flip up 90 degrees to vertical position. Releasing lever with top flipped locks position by hooking back pin in cross member. Pushing lever allows top to return to horizontal position. Levers are linked with a 20 Ga round steel tube timing bar allowing both mechanisms to be engaged simultaneously while pushing single lever.



CASTERS

Dual-wheel casters are 50mm diameter with screw in M8 x 15mm stems. Two locking and two non-locking casters provided.

OPTIONS/ACCESSORIES

Accessories include clamp mount outlet & USB charger, pencil drawer, ganging devices, and desktop privacy panels.

LAMINATE OPTIONS:



Mahogany

Teak

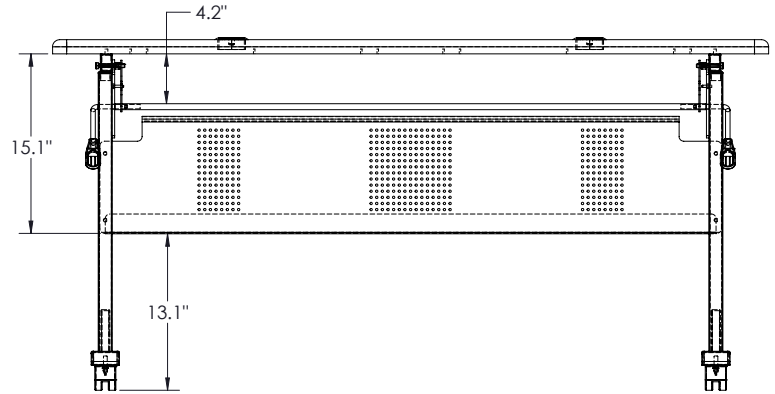
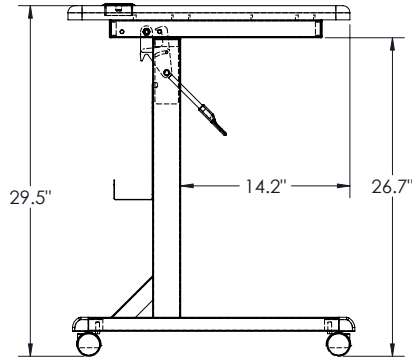
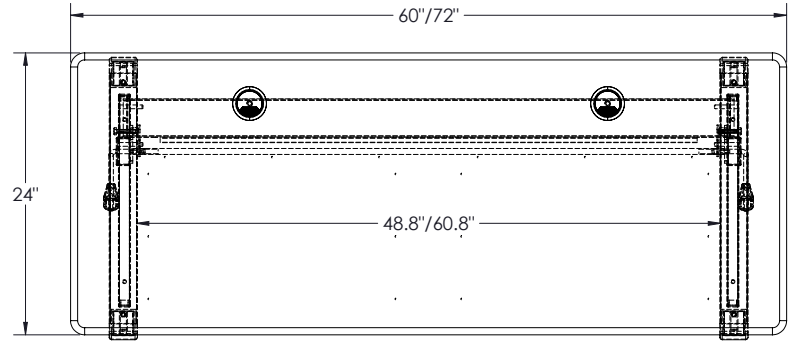
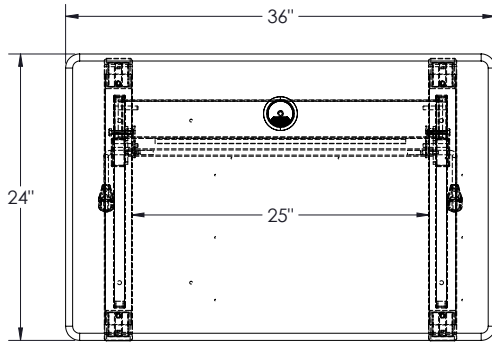
FRAME:



Black

36" Table

60"/72" Table



DIMENSIONS

Base Model No.	Description	Width X Depth
89870	Flipper Table - 3624 Rectangle (Teak)	29.5"H x 36"W x 24"D
89876	Flipper Table - 3624 Rectangle (Maogany)	29.5"H x 36"W x 24"D
89775M	Flipper Table - 6024 Rectangle (Teak)	29.5"H x 60"W x 24"D
89879M	Flipper Table - 6024 Rectangle (Mahogany)	29.5"H x 60"W x 24"D
89863M	Flipper Table - 7224 Rectangle (Teak)	29.5"H x 72"W x 24"D
89880M	Flipper Table - 7224 Rectangle (Mahogany)	29.5"H x 72"W x 24"D

ACCESSORIES

Base Model No.	Description
66675	Clamp Mount Outlet & USB Charger
66640	Ganging Device for Training Tables (set of 2)



MooreCo, Inc.
 2885 Lorraine Avenue | Temple, TX 76501
 p: 800.749.2258 | f: 866.888.7483
www.moorecoinc.com