

## Height Adjustable Flipper Desk

Product Numbers: 90316-XXXX-XX, 90317-XXXX-XX, 90315-XXXX-XX

### OVERVIEW

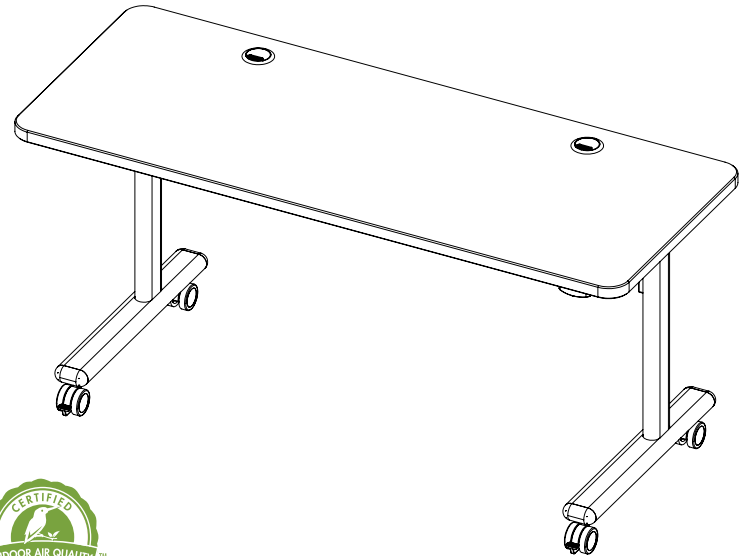
The Height Adjustable Flipper Table easily accommodates a range of ages and sizes, can be transported with ease, and can be nested for compact storage.

### TOP

The top is made of 1 1/8" Particleboard Core with 3mm Flat Vinyl T-Mold Edge. The work surface is constructed of 45# particleboard core with high pressure laminate (HPL) top surface and phenolic backer sheet for balanced construction. 1 1/8" 3mm flat vinyl t-mold is secured to the work surface with brad nails along the perimeter.

### FRAME

The black powder-coated frame is made up of two legs and two cross bars. The two legs are made of two 14 Ga 3.15" x 1.6" oval steel tubes, one horizontal and one vertical, that are welded together and measure 22" and 21" long, respectively. The telescoping insert is a 14 Ga 2.6" x 1.2" oval steel tube and is welded to a 10 Ga steel 4.56" x 2.4" x 1.9" channel that holds the flipping mechanism and the table supports. The table supports are tapered 14 ga 13.75" x 2.75" x 2.15" steel channels riveted to 20 Ga 5.5" x 2.5" steel plates and attached to the leg channels with two M6 x 12mm screws in a barrel plug and to the table tops with two M6 x 20mm screws each. The lower of the two crossbars is 16 Ga 2" x 1" steel tube and is screwed through a formed metal cover into the a 10 Ga 4.0" x 0.8" bent steel plate welded to the vertical leg tube with two M6 x 8mm screws on each side. The upper crossbar is directly underneath the table top and is a 16 Ga 1" square steel tube that mounts with a 'T' bracket to the table supports using two M6 x 8mm on each side. Plastic endcaps cover all open tubes. Fully assembled, the table can adjust from 28.5" to 45" using the four M6 x 20mm screws from the vertical leg tube into the leg insert.



### CASTERS

Dual-wheel casters are 60mm diameter with screw in M8 x 15mm stems. Two locking and two non-locking casters provided.

### OPTIONS/ACCESSORIES

Accessories include modesty panel, clamp mount outlet & USB charger, pencil drawer, ganging devices, and desktop privacy panels.

### LAMINATE OPTIONS:



Amber Cherry Asian Night Castle Oak Fusion Maple Graphite Nebula Gray Elm Gray Nebula Low Line White Board

### EDGE BAND COLORS:

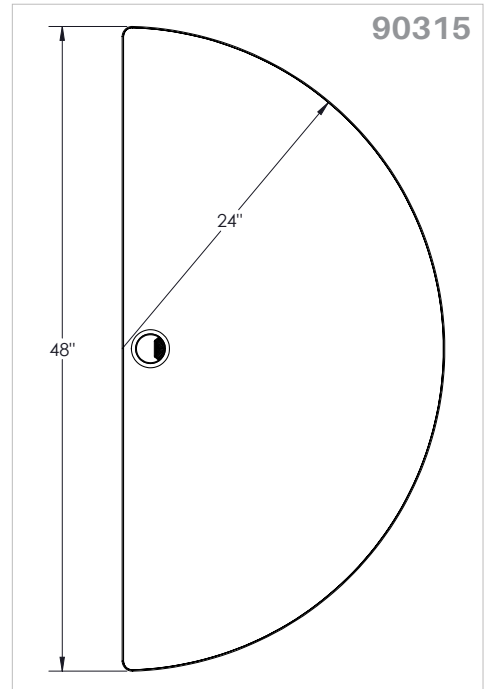
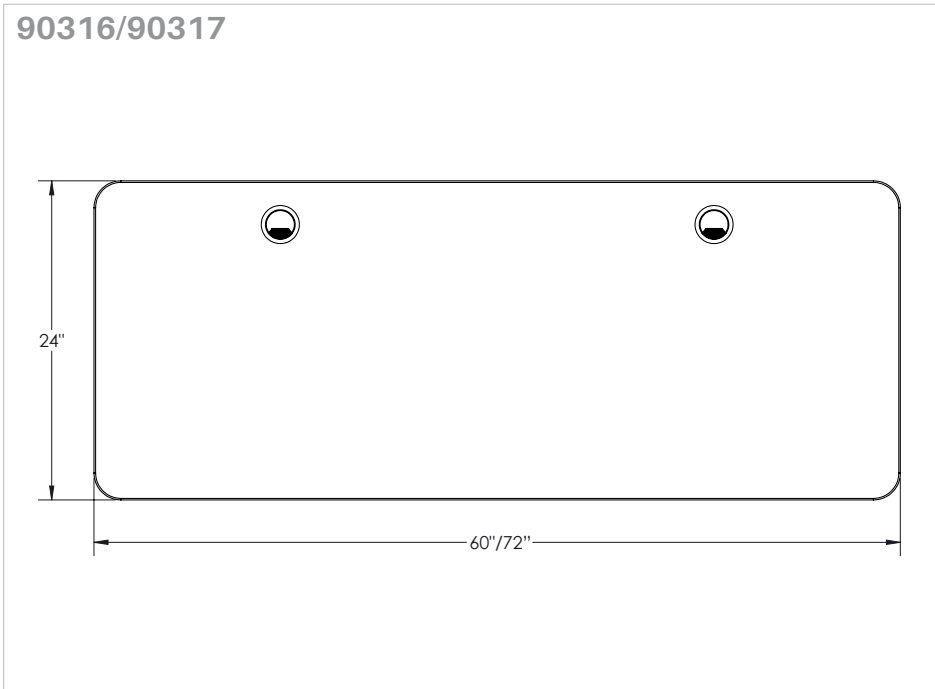
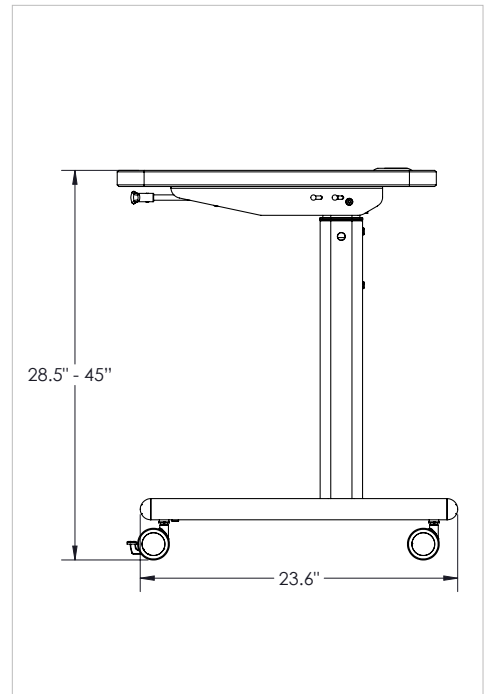
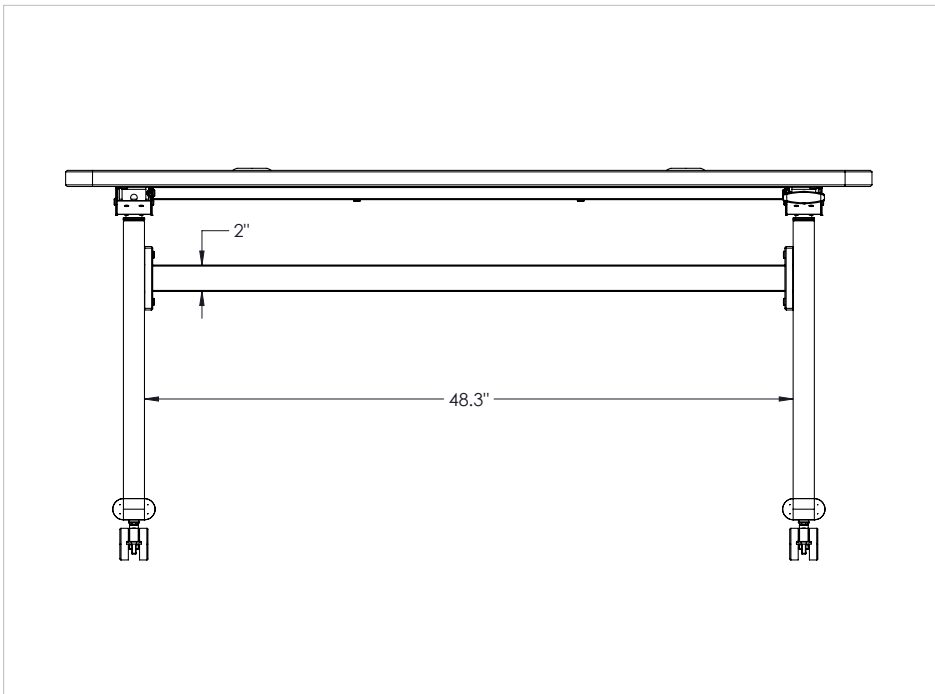


Black Platinum Cool Gray Purple Navy Blue Green Yellow Orange Red

### FRAME:



Black



## DIMENSIONS

Base Model No.	Description	Width X Depth	Height Adjustment Range
90316-XXXX-XX	Height Adjustable Sit/Stand Flipper Table - 6024	60"W X 24"D	28.5"-45"
90317-XXXX-XX	Height Adjustable Sit/Stand Flipper Table - 7224	72"W X 24"D	28.5"-45"
90315-XXXX-XX	Height Adjustable Sit/Stand Flipper Table - Half Round	48"W X 24"D	28.5"-45"

## ACCESSORIES

Base Model No.	Description
66626	Height Adjustable Flipper Table Modesty Panel - 6024 Table
66627	Height Adjustable Flipper Table Modesty Panel - 7224 Table
66675	Clamp Mount Outlet & USB Charger
66640	Ganging Device for Training Tables (set of 2)



**MooreCo, Inc.**  
 2885 Lorraine Avenue | Temple, TX 76501  
 p: 800.749.2258 | f: 866.888.7483  
[www.moorecoinc.com](http://www.moorecoinc.com)