

Divvy DOC Partition

Model Numbers: 661DG-L2, 661DG-L3, 661DG-CUSTOM

OVERVIEW

With ultra stylish multi-panel Divvy room dividers, you can add instant color and texture (and functional whiteboard) to any space, in a truly unique ready-to-roll room divider

PANEL

Double-sided dividers come in a variety of surface combinations, including fabric, laminate, whiteboard and tackboard.

Standard configuration features top row in acrylic, middle row in Dura-Rite whiteboard and Ocean laminate, and bottom row in Orange Grove and Low Line laminate.

Balanced configuration features top row in acrylic, middle row in Dura-Rite whiteboard and bottom row in Low Line laminate.

Custom Divvy may be configured in any combination of surfaces.

FRAME

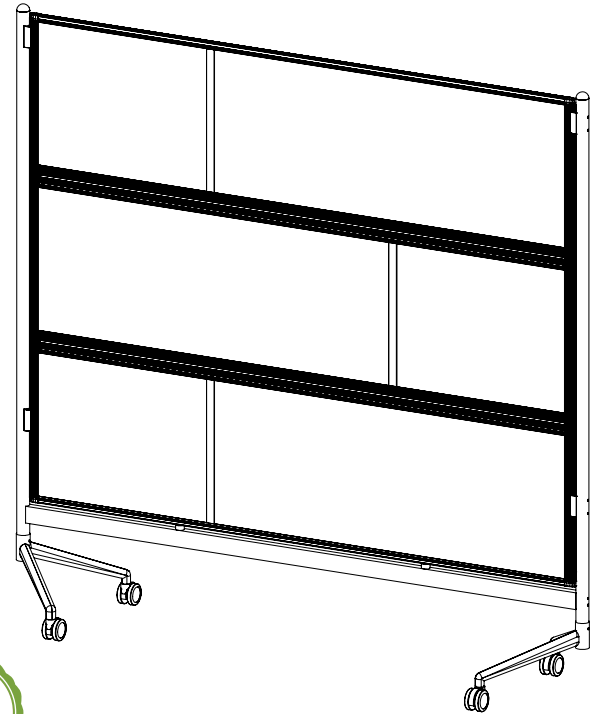
Panels are trimmed in anodized aluminum which clips onto 14 Ga round steel tube uprights. Uprights insert into a 7 Ga round steel base with 12 Ga tapered steel tube legs.

CASTERS

Dual-wheel casters are 2.5" diameter with push in stems. All casters are locking.

CERTIFICATIONS

Indoor Advantage Gold certified.



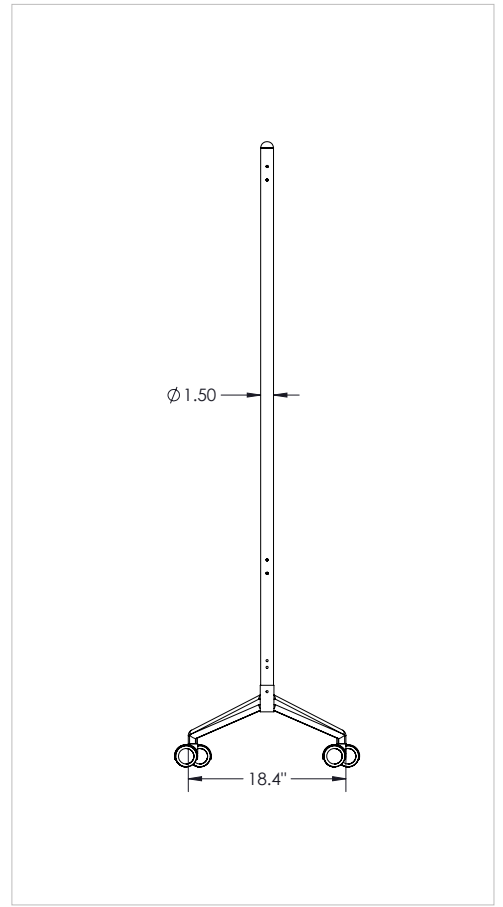
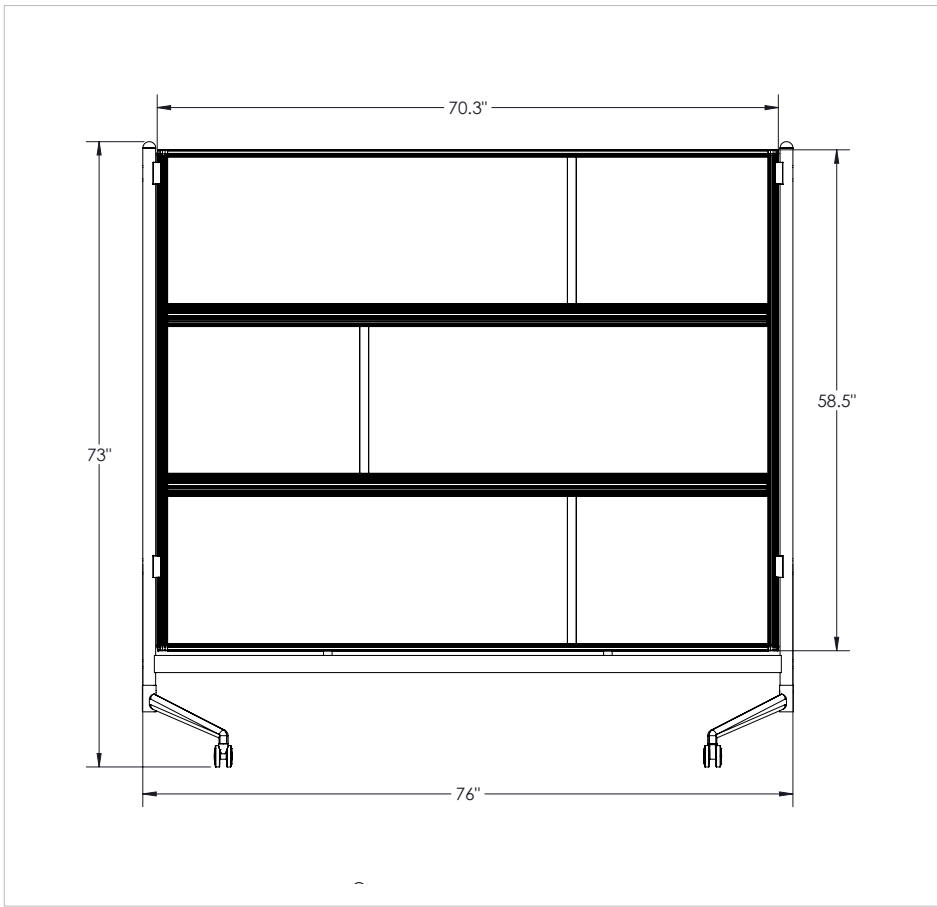
OPTIONS/ACCESSORIES

Connectors available to join panels at 90 and 180 degree angles.

FRAME:



Aluminum



AVAILABLE OPTIONS

Base Model No.	Description	Dimensions
661DG-L2	Divvy D.O.C. Partition - Standard	73"H x 76"W x 20"D
661DG-L3	Divvy D.O.C. Partition - Balanced	73"H x 76"W x 20"D
661DG-CUSTOM	Divvy D.O.C. Partition - Custom	73"H x 76"W x 20"D