

HARVEST SEATING



Flexible seating inspired by the new world of learning

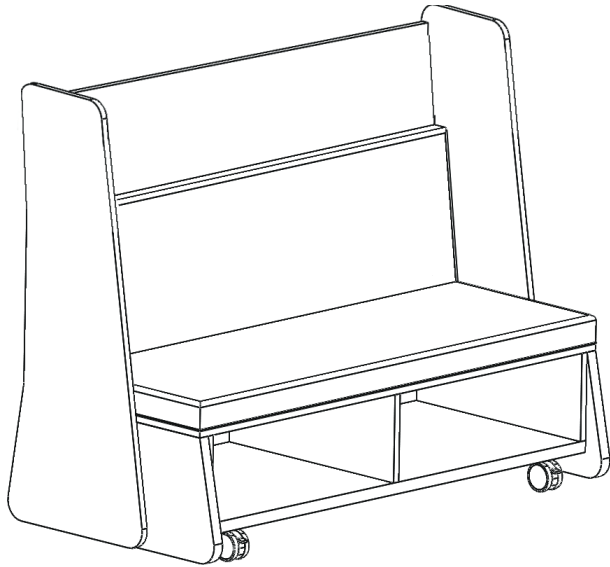
FEATURES & BENEFITS:

- Mobile, collaborative, and versatile, you can have it all for today's learning environments
- Ideal for socializing, relaxing, or impromptu brainstorming sessions, Harvest is easily maneuverable and configurable to your needs
- Low or high back for privacy and sound dampening
- Underseat storage for personal belongings and materials
- Dry erase whiteboard back panel facilitates creative collaboration
- Quickly reconfigure your space with integrated locking casters
- Offered in standard laminate options
- Graded fabric choices available, or COM (customer's own material) on approval

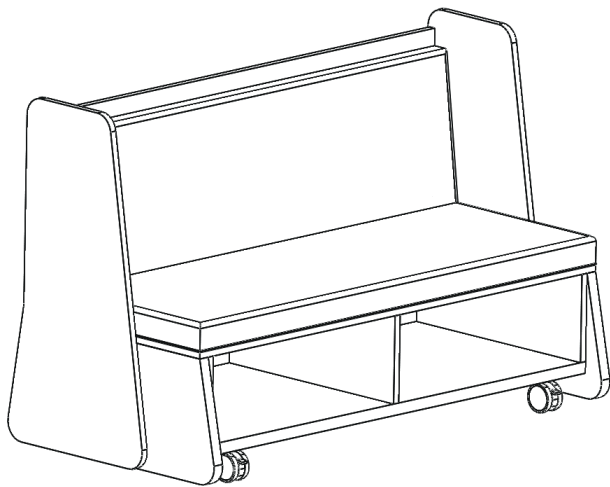


VANERUM
NORTH AMERICA

HARVEST SEATING - TECHNICAL SPECIFICATIONS



51"H model



38"H model

LAMINATE OPTIONS

Please view our Material Color Reference Sheet for an extensive list of standard & designer laminates:

www.vanerumna.com/material-color-reference-sheet

CONSTRUCTION

- Solid .75" thick 44 lb particle board construction with HPL
- PVC edges applied with medium-viscosity high-melt adhesive
- MDF cam and screw construction
- Removable upholstered fabric cushion and wedge back
- Includes 4" casters and two storage compartments
- COM requirements: 5 yards
- Dimensions: 38"H x 60"W x 30"D or 51"H x 60"W x 30"D / seat dimensions: 18.5"H x 60"W x 20.5"D