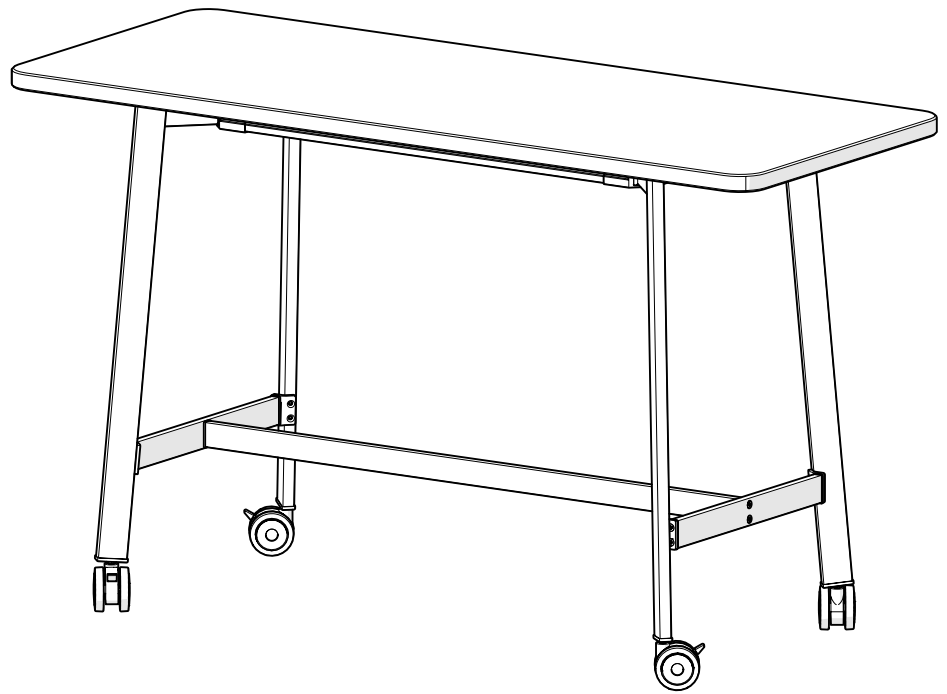
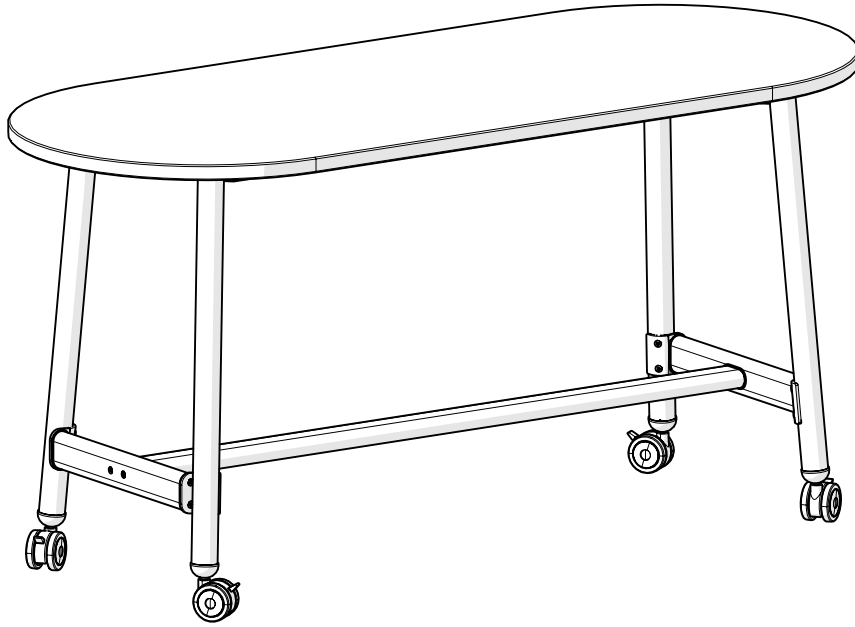


# Akt Tables (36" H and 42" H)



**akt**<sup>TM</sup>  
BY MOORECO

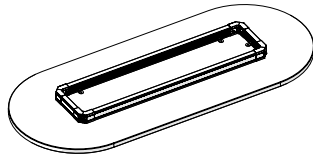
**!** ASSEMBLY INSTRUCTIONS **!**  
DO NOT THROW AWAY!

INSTRUCCIONES DE ENSEMBLAJE  
NO LA TIRE

INSTRUCTIONS DE MONTAGE  
NE PAS JETER

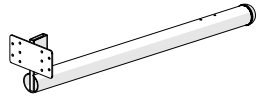
# Parts List - Round Leg Table

P1 - Table Top



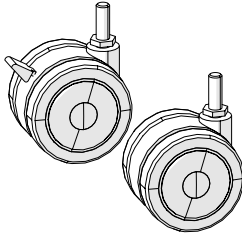
x1

P2 - Round Leg



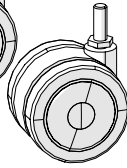
x4

P3A - Locking Caster



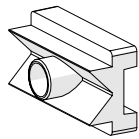
x2

P3B - Non Locking Caster



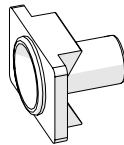
x2

P4 - Outer Corner



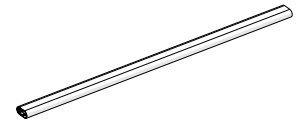
x4

P5 - Inner Corner



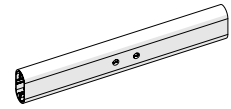
x4

P6 - Long Crossbar



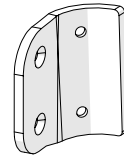
x1

P7 - Short Crossbar



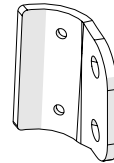
x2

P8 (1) - Left Leg Bracket



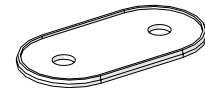
x2

P9 (2) - Right Leg Bracket



x2

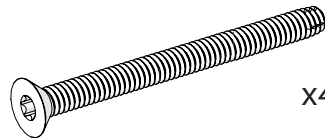
P10 - Plastic Cover



x6

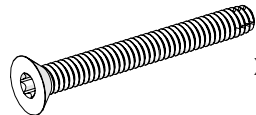
## Hardware

A - 1/4-20 x 3.5" Torx



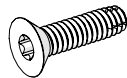
x4

B - 1/4-20 x 2.5" Torx



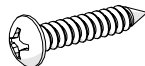
x12

C - 1/4-20 x 1" Torx



x8

D - #10 x 1" Phillips



x40

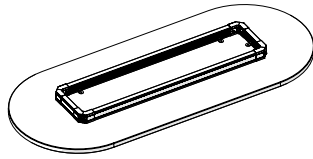
E - Lock Washer



x4

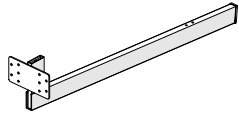
# Parts List - Rect. Leg Table

P1 - Table Top



x1

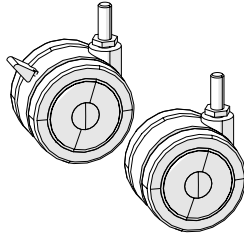
P2 - Rectangular Leg



x4

P3A - Locking Caster

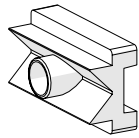
P3B - Non Locking Caster



x2

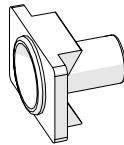
x2

P4 - Outer Corner



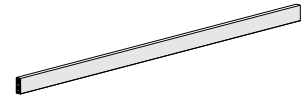
x4

P5 - Inner Corner



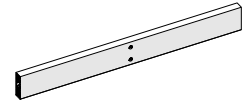
x4

P6 - Long Crossbar



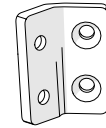
x1

P7 - Short Crossbar



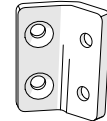
x2

P8 (1) - Left Leg Bracket



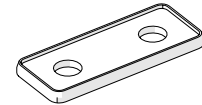
x2

P9 (2) - Right Leg Bracket



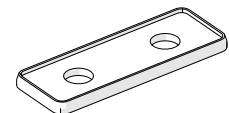
x2

P10 - Small Plastic Cover



x2

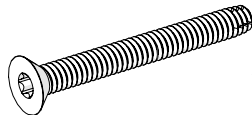
P11 - Large Plastic Cover



x4

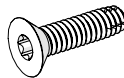
## Hardware

B - 1/4-20 x 2.5" Torx



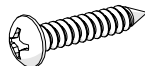
x16

C - 1/4-20 x 1" Torx



x8

D - #10 x 1" Phillips



x40

E - Lock Washer



x4

## WARNINGS AND DISCLAIMERS

Review full assembly instructions and check that all parts are present before beginning assembly. Heavy or large furniture may require multiple persons in order to properly assemble. If you have questions regarding assembly, contact the manufacturer before continuing. Damage due to incorrect assembly may not be covered by warranty. Do not use product unless all screws are tight. Check all screws for tightness at least every six months. If parts are broken, missing, damaged, or worn, stop use of the product until repairs are made by your dealer using factory authorized parts.

## ADVERTENCIAS Y RENUNCIAS

Previo a comenzar el proceso de ensamblaje favor de revisar las instrucciones y asegurarse que cuenta con todas las partes y materiales necesarios. Es posible que los muebles grandes o pesados, requieran mas de una persona para ensamblarlos correctamente. Por favor contacte al fabricante directamente si tiene alguna duda o pregunta antes de continuar con el proceso de armado del producto. La garantía no cubrirá daños que ocurrieron por errores cometidos durante el proceso de ensamblaje. Todos los tornillos deben estar ajustados previo el uso del producto. Debe revisar los tornillos periódicamente, por lo menos cada seis meses y asegurarse de que estén bien ajustados. Por favor detenga el uso del producto si partes del producto se pierden, rompen, se deterioran por uso o se rompen. Favor de contactar a su distribuidor para que le envíen las partes necesarias o realice las reparaciones necesarias con partes autorizadas por el fabricante.

## AVERTISSEMENTS

Avant de commencer l' assamblage veuillez consulter les instructions complètes et vérifier si vous avez toutes les pièces nécessaires. Il est possible que plusieurs personnes soient nécessaires pour assemble des meubles grand ou lourds. En cas de doute sur l' assamblage contactez le fabricant avant de continuer. Les dommages encourus pendant l'assamblage ne seront pas couvert par la garantie. Ne pas utiliser le produit sans vérifier que tous les vis soient serrées. Vérifiez que les vis sont serrées au moins tous le 6 mois. Si aucune pièce se casse, manque, est endommagée ou usée, arrêtez d' utiliser de produit jusqu'à ce que le vendeur le repaire a l'aide de pièces autorisées par la fabricant.

## WARRANTY

For full product warranty details, please visit:

Para obtener información sobre la garantía del producto, consulte este sitio (ingles):

Pour plus d'informations sur la garantie du produit, consultez ce site (anglais):

<http://moorecoinc.com/warranty>

## CARE & MAINTENANCE

For questions on assembly or missing/damaged parts, please contact us using the following information.

Para preguntas sobre el ensamblaje o piezas faltantes o dañadas, por favor contáctenos usando la siguiente información.

Pour toute question sur le montage l'assamblage manquantes ou endommagées, veuillez nous contacter en utilisant les l'information ci-dessous.

Email:

[support@moorecoinc.com](mailto:support@moorecoinc.com)

Phone:

**1.800.749.2258**

(Monday - Friday, 8AM - 5PM

Central Time)

## PRODUCT REGISTRATION

To register your product for warranty, please visit:

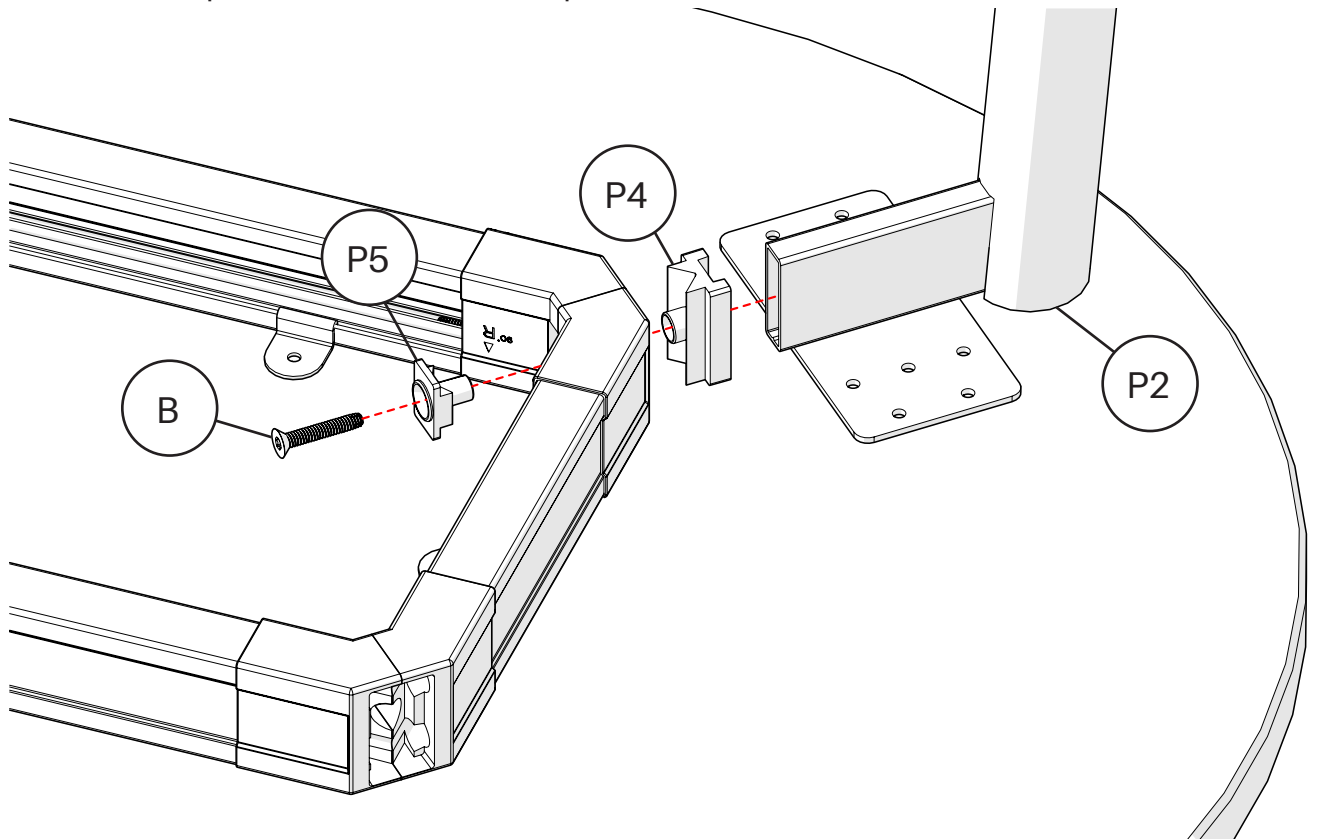
Para registrar la garantía del producto, vea este sitio (en ingles):

Pour enregistrer la garantie de votre produit, consultez ce site (en anglais):

<https://moorecoinc.com/register>

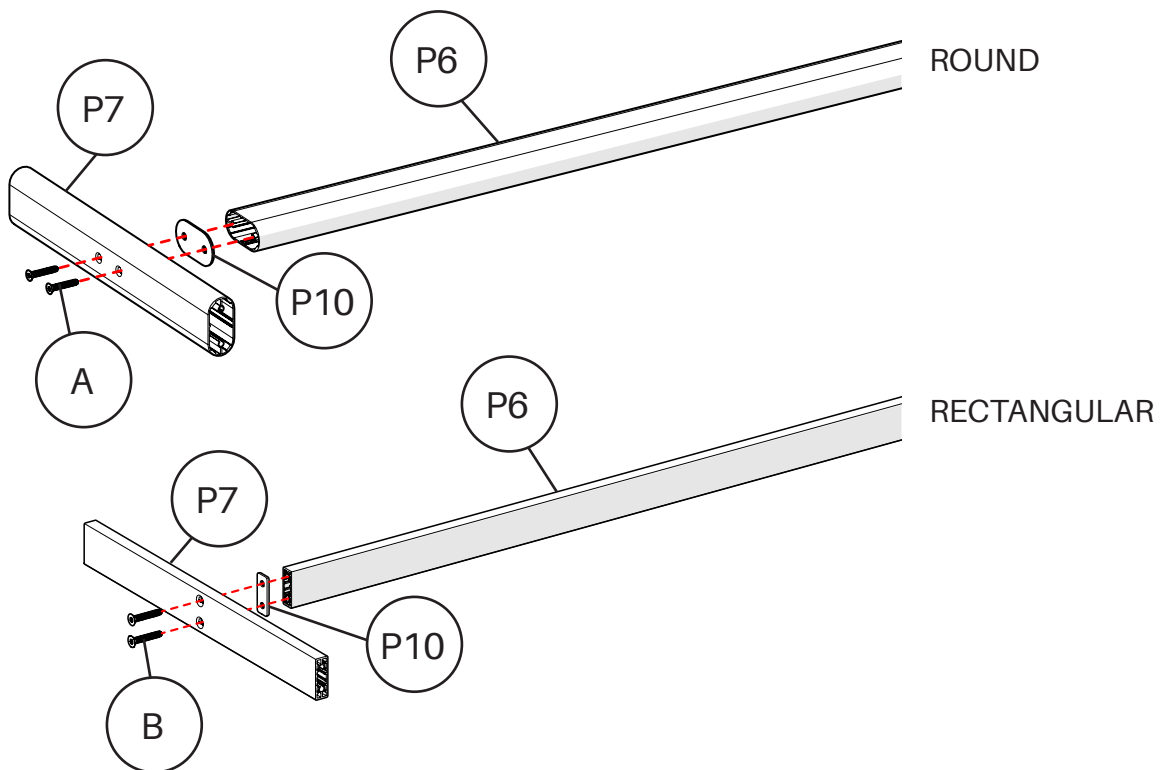
## STEP 1

After placing plastic inserts into frame corners as shown, insert Leg from outside and secure with screw (B) from inside frame, tightening into Leg until snug. Use screws with unpainted heads for this step.



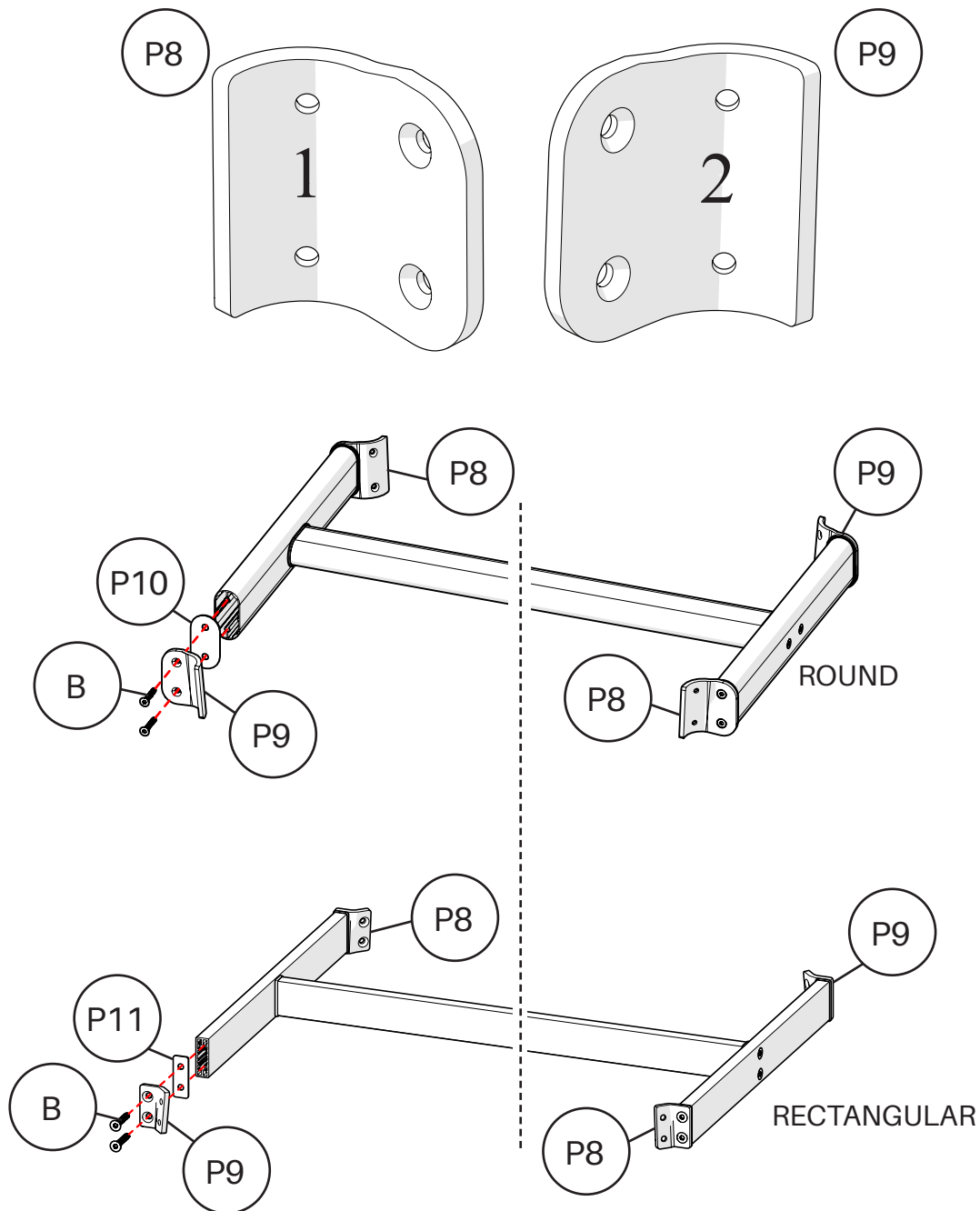
## STEP 2

Attach short and long crossbars as shown, capping Long Crossbar ends with Plastic Cover before binding at either end with 2 screws (A for Round, B for Rectangular).



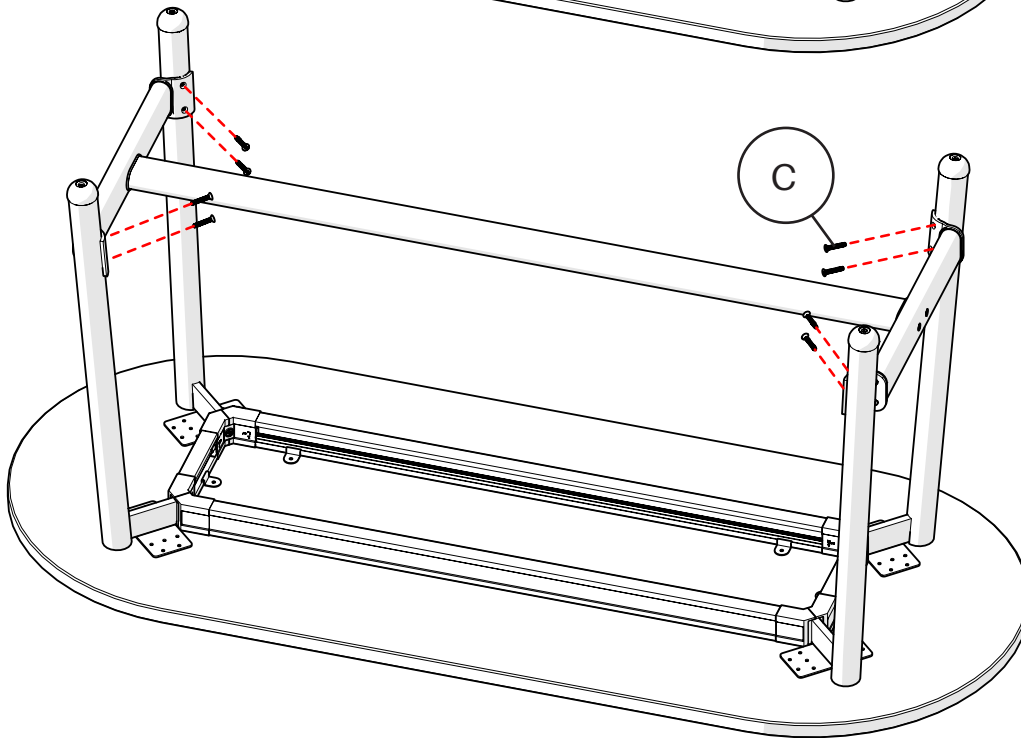
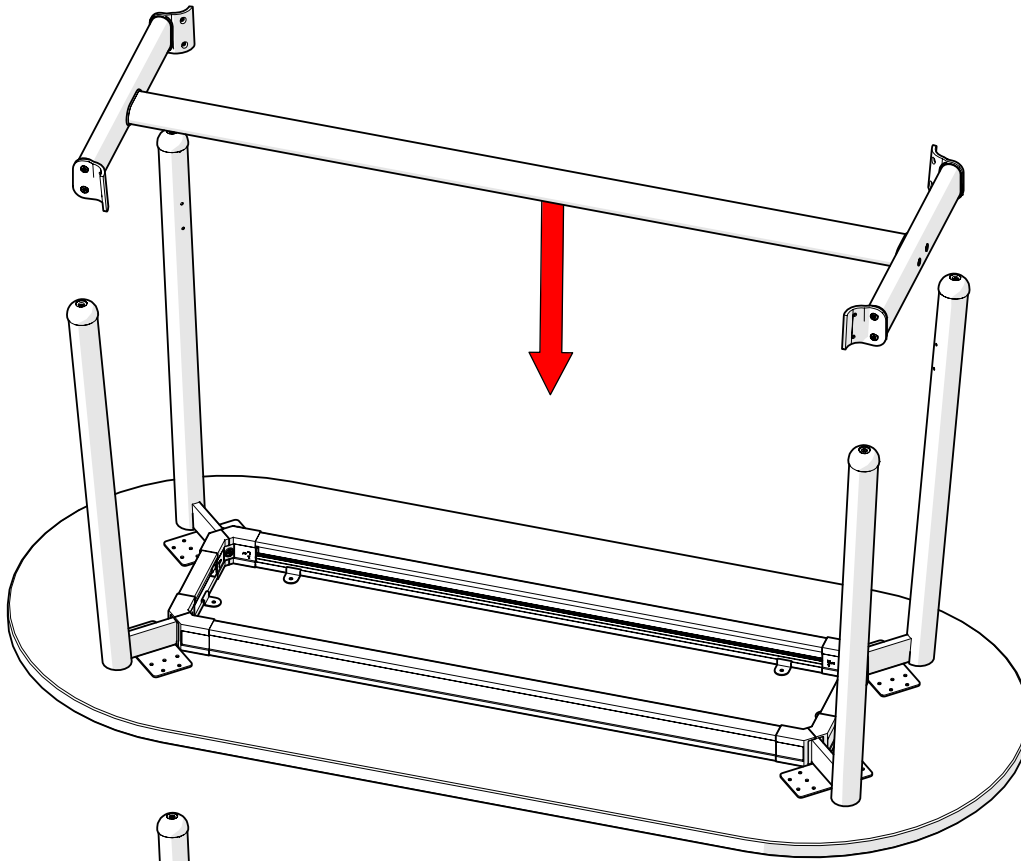
### STEP 3

Snap on additional Plastic Covers to exposed ends of Short Crossbars before screwing on Leg Brackets with 2 screws (B) each. Note positions of Left and Right Brackets depicted below. Brackets will be marked with "1" or "2" which should be right side up throughout assembly and attached to appropriate end.



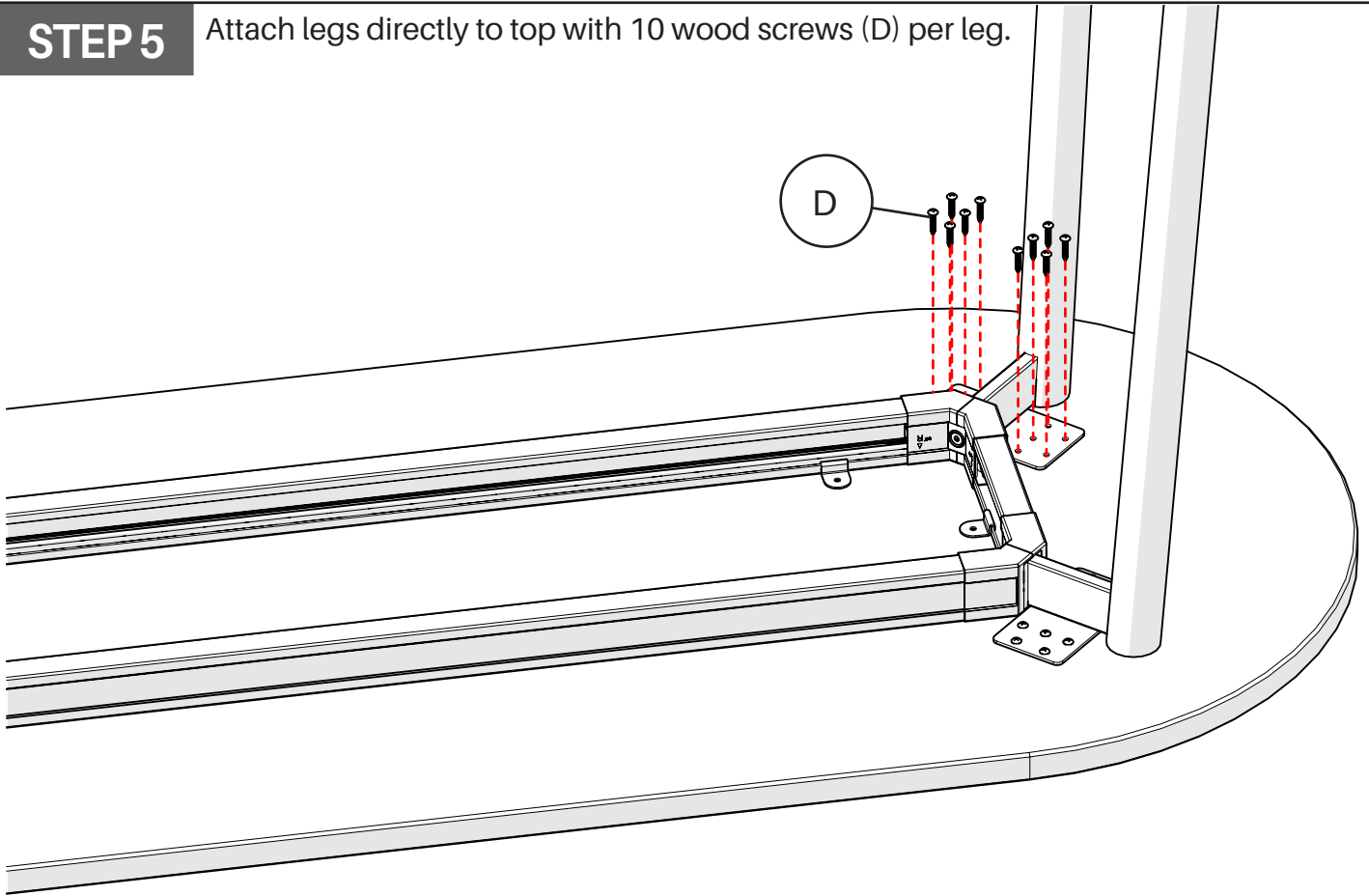
## STEP 4

Keeping footrest in same position as previous step ("1" and "2" should NOT be upside down), lower between legs. Aligning Leg Brackets with inside holes on legs, secure to legs with 2 screws (C) per leg. Note that footrest will only fit onto legs one way so if unable to align holes, return to previous step and carefully read instructions.



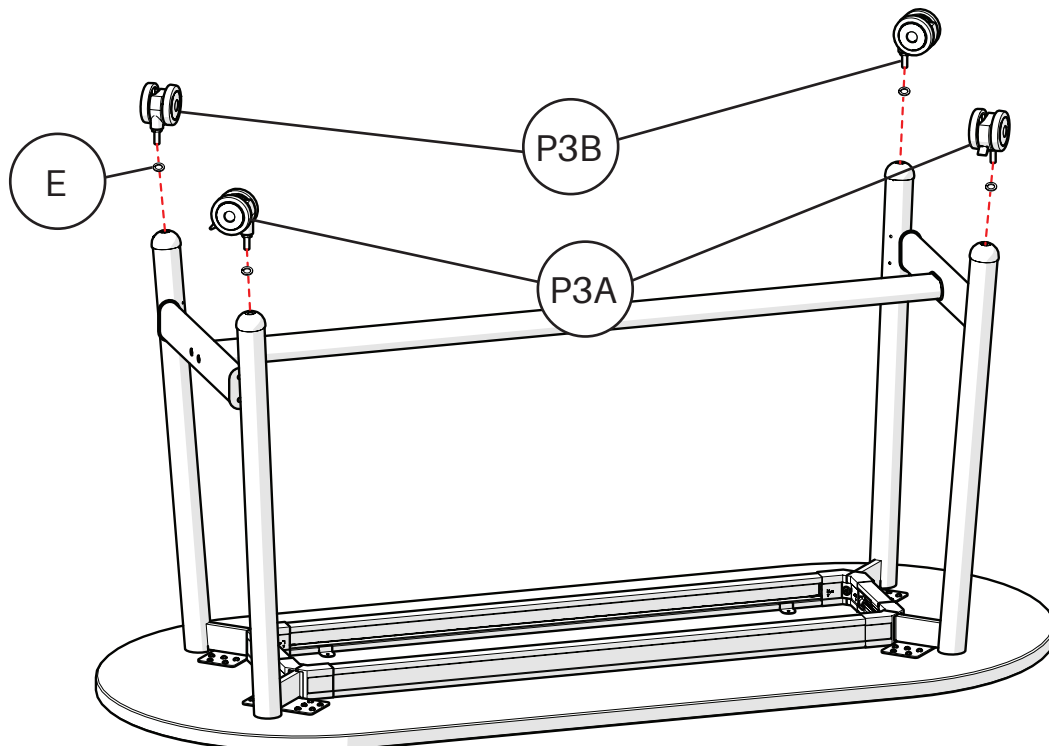
## STEP 5

Attach legs directly to top with 10 wood screws (D) per leg.



## STEP 6

Insert all 4 Casters by screwing into legs with lock washers (E). Install Locking Casters on same side of table for easier access.



**THIS COMPLETES ASSEMBLY INSTRUCTION**