

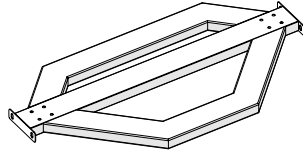
 **ASSEMBLY INSTRUCTIONS**
DO NOT THROW AWAY! 

INSTRUCCIONES DE ENSEMBLAJE
NO LA TIRE

INSTRUCTIONS DE MONTAGE
NE PAS JETER

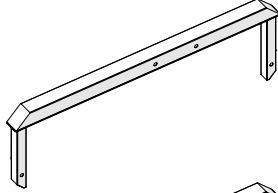
Parts List

P1 - Crossbrace



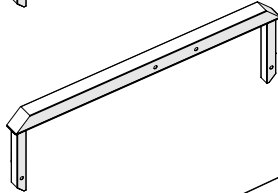
x1

P2 - Left Insert



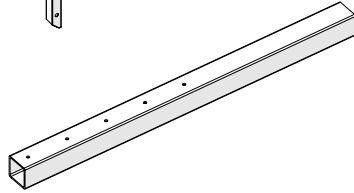
x1

P3 - Right Insert



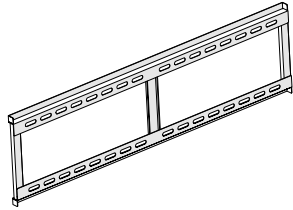
x1

P4 - Upright



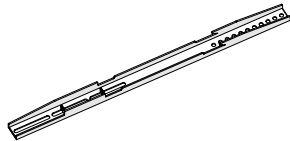
x2

P5 - Mount Frame



x1

P6 - Mount Bracket



x2

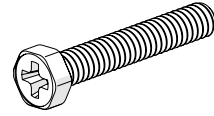
Hardware

A - CS M6 x 12mm



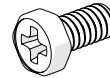
x8

B - PH M6 x 40mm



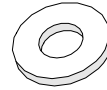
x4

C - PH M6 x 12mm



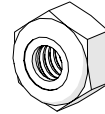
x4

D - Washer



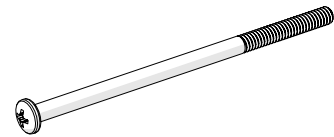
x8

E - M6 Lock Nut



x4

F - M6 x 95mm



x2

WARNINGS AND DISCLAIMERS

Review full assembly instructions and check that all parts are present before beginning assembly. Heavy or large furniture may require multiple persons in order to properly assemble. If you have questions regarding assembly, contact the manufacturer before continuing. Damage due to incorrect assembly may not be covered by warranty. Do not use product unless all screws are tight. Check all screws for tightness at least every six months. If parts are broken, missing, damaged, or worn, stop use of the product until repairs are made by your dealer using factory authorized parts.

ADVERTENCIAS Y RENUNCIAS

Previo a comenzar el proceso de ensamblaje favor de revisar las instrucciones y asegurarse que cuenta con todas las partes y materiales necesarios. Es posible que los muebles grandes o pesados, requieran mas de una persona para ensamblarlos correctamente. Por favor contacte al fabricante directamente si tiene alguna duda o pregunta antes de continuar con el proceso de armado del producto. La garantía no cubrirá daños que ocurrieron por errores cometidos durante el proceso de ensamblaje. Todos los tornillos deben estar ajustados previo el uso del producto. Debe revisar los tornillos periódicamente, por lo menos cada seis meses y asegurarse de que estén bien ajustados. Por favor detenga el uso del producto si partes del producto se pierden, rompen, se deterioran por uso o se rompen. Favor de contactar a su distribuidor para que le envíen las partes necesarias o realice las reparaciones necesarias con partes autorizadas por el fabricante.

AVERTISSEMENTS

Avant de commencer l'assamblage veuillez consulter les instructions complètes et vérifier si vous avez toutes les pièces nécessaires. Il est possible que plusieurs personnes soient nécessaires pour assemble des meubles grand ou lourds. En cas de doute sur l'assamblage contactez le fabricant avant de continuer. Les dommages encourus pendant l'assamblage ne seront pas couvert par la garantie. Ne pas utiliser le produit sans vérifier que tous les vis soient serrées. Vérifiez que les vis sont serrées au moins tous le 6 mois. Si aucune pièce se casse, manque, est endommagée ou usée, arrêtez d'utiliser de produit jusqu'à ce que le vendeur le repaire a l'aide de pièces autorisées par la fabricant.

WARRANTY

For full product warranty details, please visit:

Para obtener información sobre la garantía del producto, consulte este sitio (ingles):

Pour plus d'informations sur la garantie du produit, consultez ce site (anglais):

<http://moorecoinc.com/warranty>

CARE & MAINTENANCE

For questions on assembly or missing/damaged parts, please contact us using the following information.

Para preguntas sobre el ensamblaje o piezas faltantes o dañadas, por favor contáctenos usando la siguiente información.

Pour toute question sur le montage l'assamblage manquantes ou endommagées, veuillez nous contacter en utilisant les l'information ci-dessous.

Email:

support@moorecoinc.com

Phone:

1.800.749.2258

(Monday - Friday, 8AM - 5PM

Central Time)

PRODUCT REGISTRATION

To register your product for warranty, please visit:

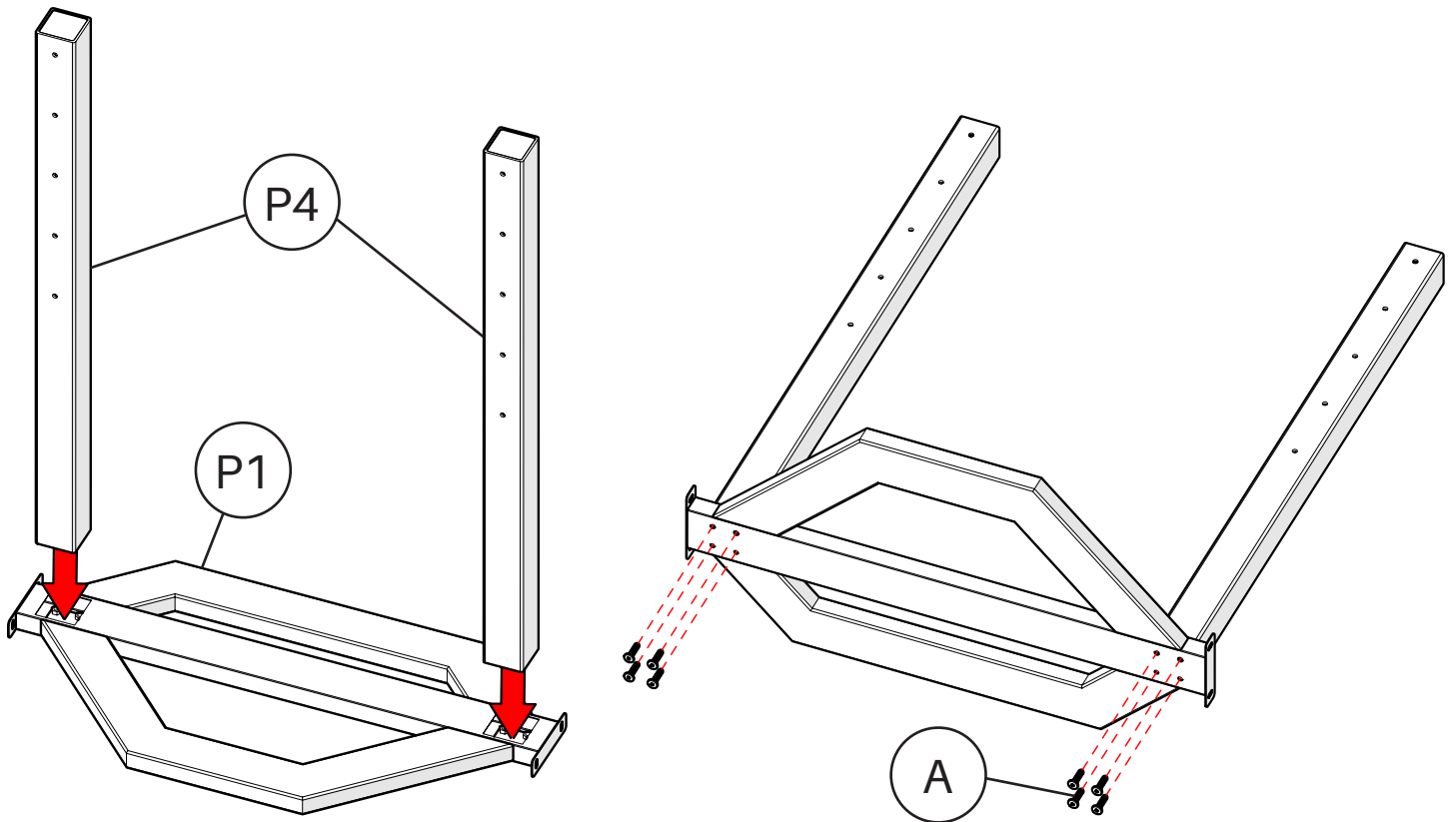
Para registrar la garantía del producto, vea este sitio (en ingles):

Pour enregistrer la garantie de votre produit, consultez ce site (en anglais):

<https://moorecoinc.com/register>

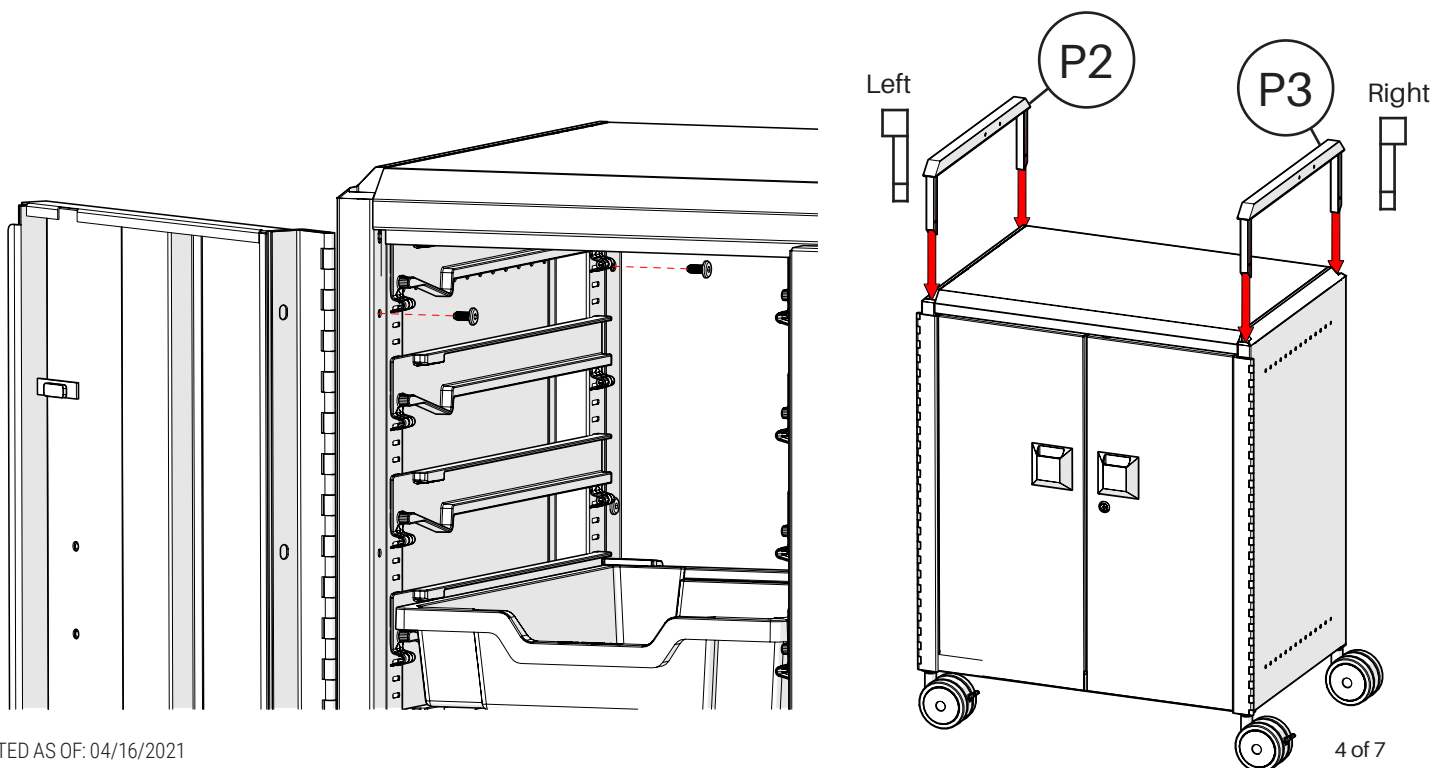
STEP 1

Insert Uprights into cut outs in Crossbrace. Insert screws through bottom of Crossbrace to secure Uprights in position. Ensure holes in Uprights are facing direction shown.



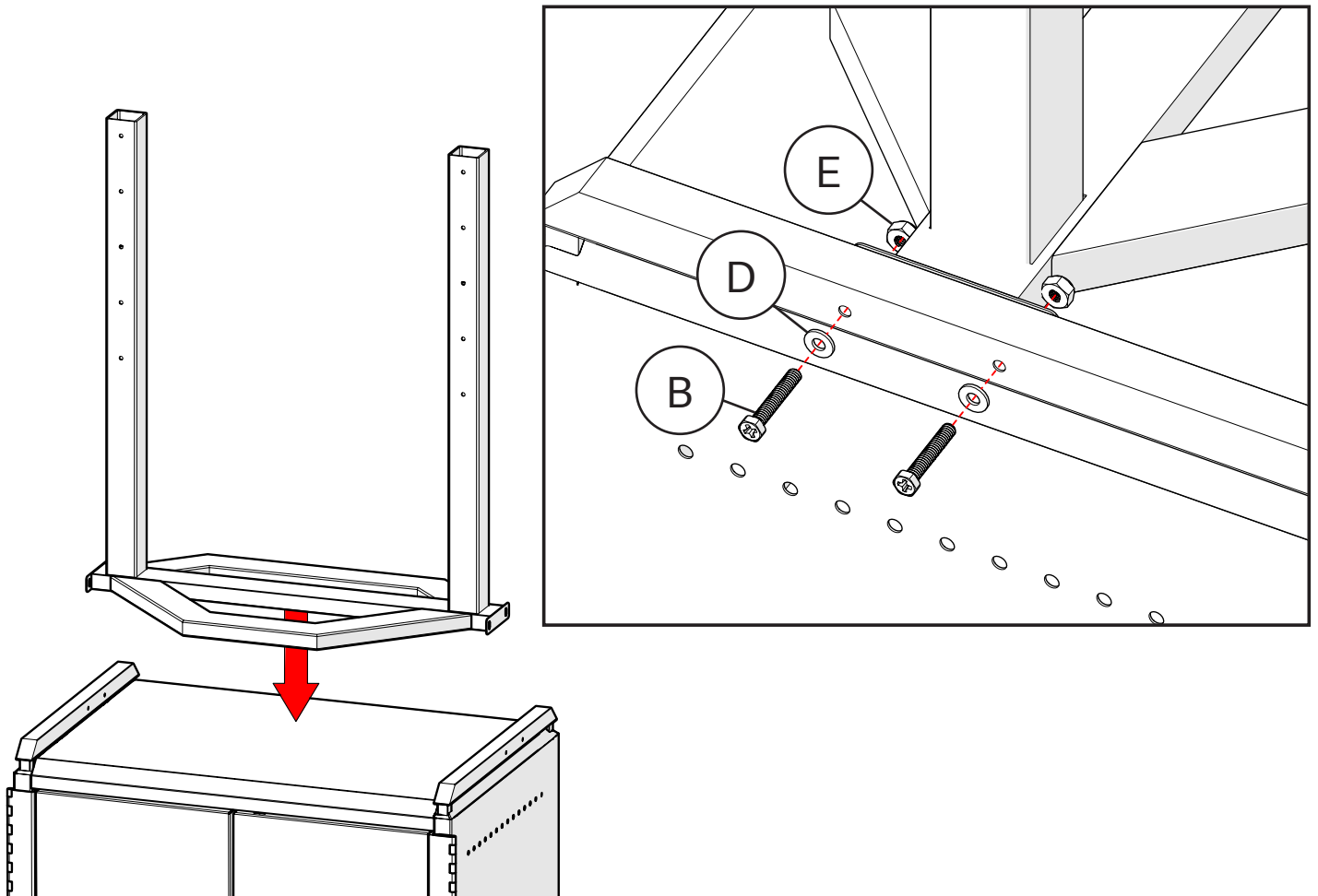
STEP 2

Remove casting retainer screws from interior of cabinet. Set screws aside. Slide in Mount Inserts through slots in castings making sure that Inserts are oriented correctly with holes closer to back of cabinet. Flat side of Mount Inserts should face inside.



STEP 3

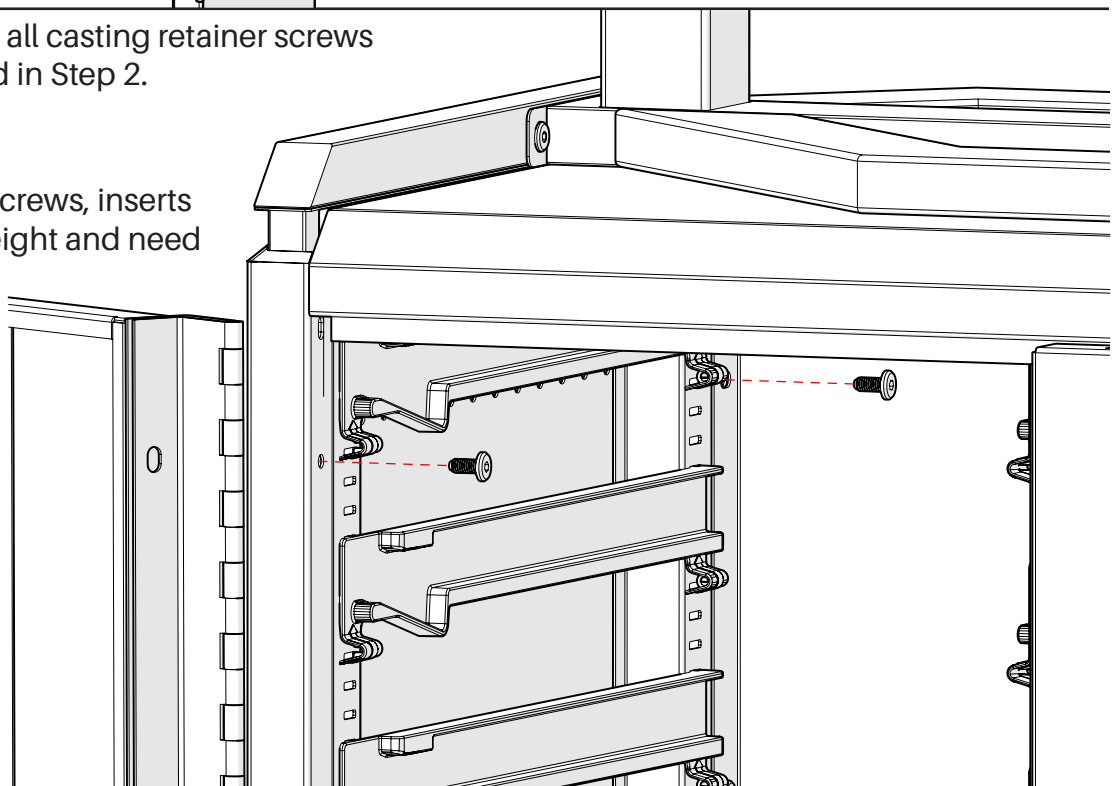
Position Crossbrace with Uprights in between Mount Inserts and line up holes. Secure with screws (B) and washers and cap with lock nut. Inserts should be level with Crossbrace after tightening.



STEP 4

Replace all casting retainer screws removed in Step 2.

If unable to thread screws, inserts are not at correct height and need adjusting.

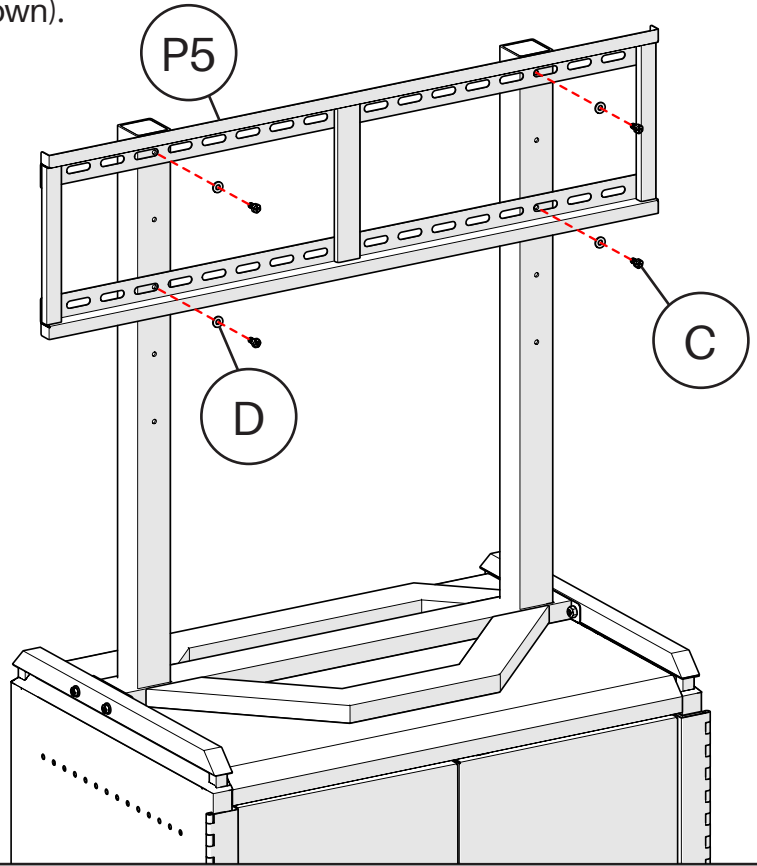


STEP 5

Attach Mount Frame to Uprights at desired height with washers and screws (C). See chart for panel display size & weight limits at high and low settings for both cabinet sizes (2 wide with highest setting shown).

2 WIDE	Max Size (Diagonal)	Max Weight
Lowest Setting	70"	150 lbs
Highest Setting	85"	110 lbs

3 WIDE	Max Size (Diagonal)	Max Weight
Lowest Setting	70"	160 lbs
Highest Setting	85"	120 lbs

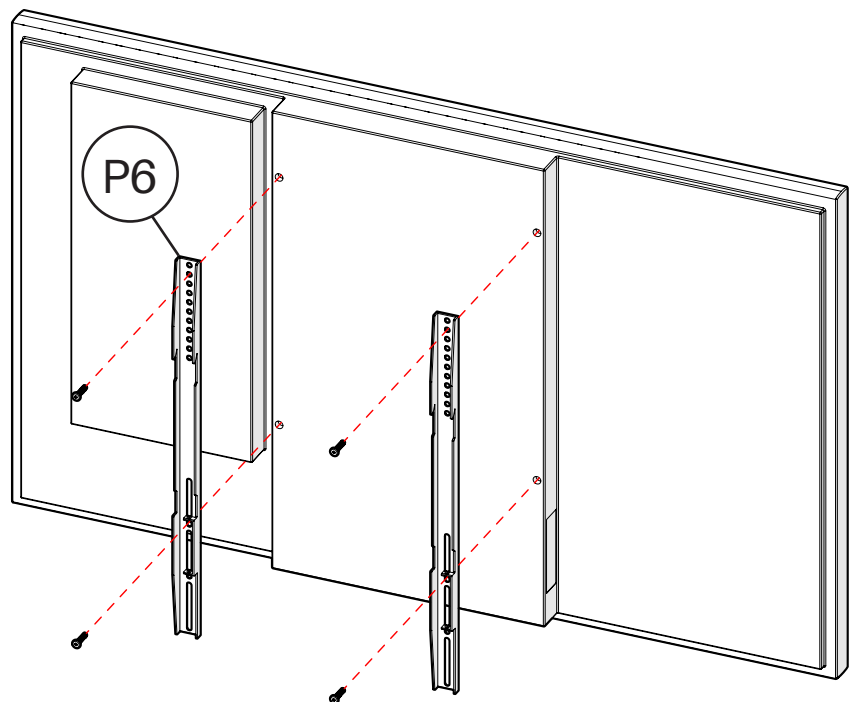


STEP 6

Attach TV Mount Brackets to back of flat panel display with necessary hardware (not provided). Brackets should be oriented as shown and centered on display.

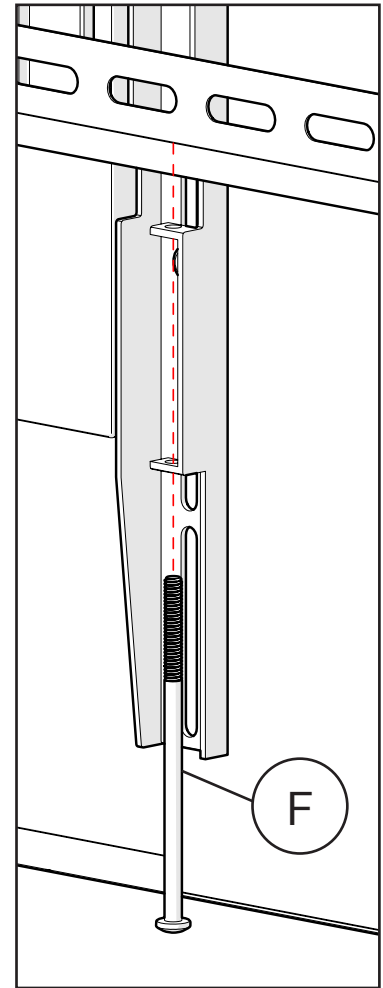
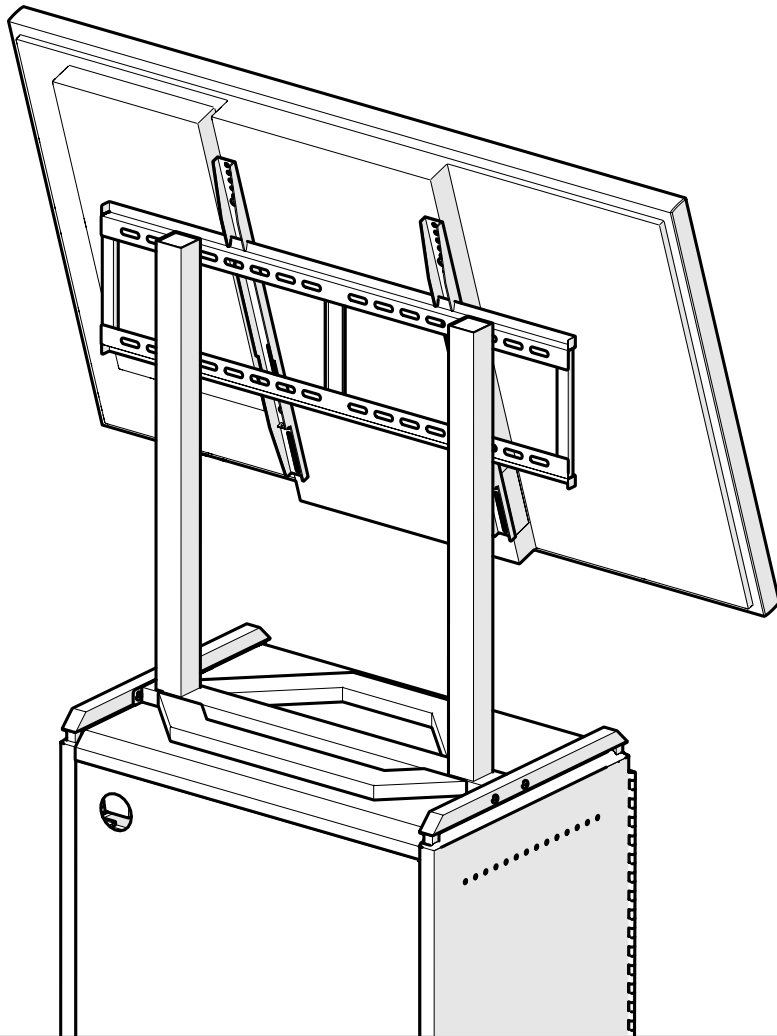
WORKS WITH VESA SIZES:

75 x 75
 100 x 100
 200 x 100
 200 x 200
 300 x 200
 300 x 300
 400 x 200
 400 x 300
 400 x 400
 600 x 400
 800 x 600



STEP 7

Hang Flat Panel on TV Mount by first hooking top of brackets to Mount Frame. Secure in place by inserting screws (D) through holes on brackets and tightening into Mount Frame until snug.



THIS COMPLETES ASSEMBLY INSTRUCTION