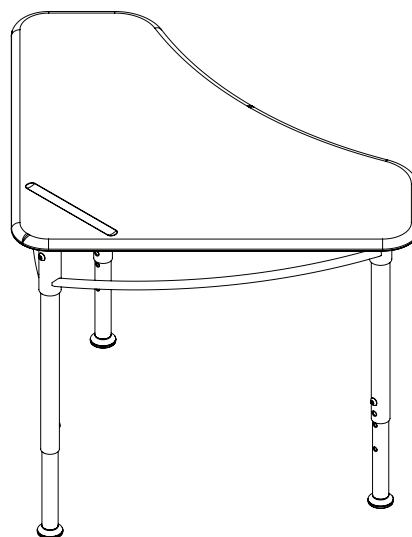
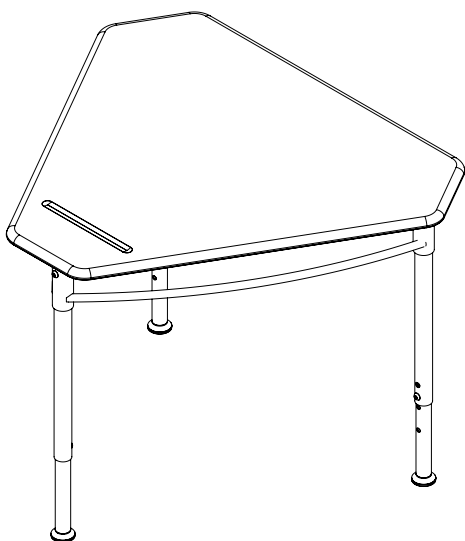
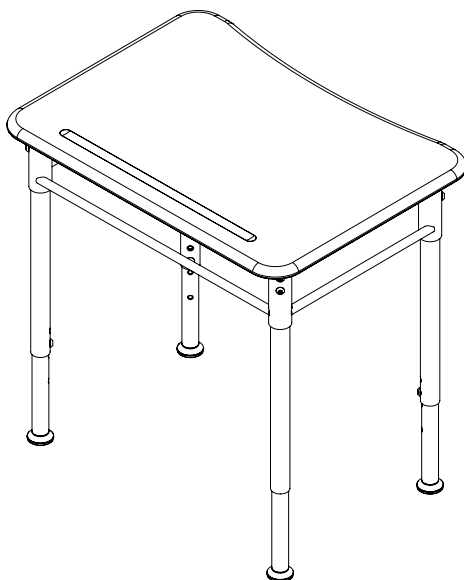


Astute Flex Desk



Part Number(s): AST-REC2620-NB-XX-PL-XXXX, AST-MNR3430-NB-XX-PL-XXXX, AST-BOM3724-NB-XX-PL-XXXX



ASSEMBLY INSTRUCTIONS
DO NOT THROW AWAY!

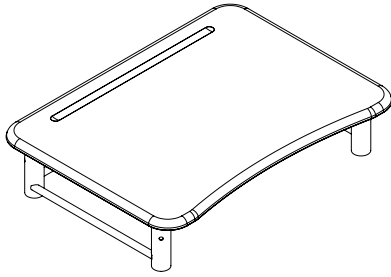


**INSTRUCCIONES DE
ENSEMBLAJE**
NO LA TIRE

**INSTRUCTIONS DE
MONTAGE**
NE PAS JETER

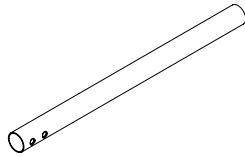
Parts List

Hard Plastic Top
+ Frame
(Rectangle top
shown)



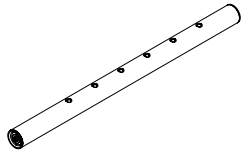
x 1

Upper Leg Tube



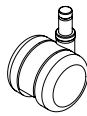
x 4

Reversible
Lower Leg Tube



x 4

Caster



x 4

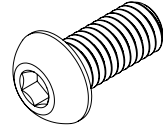
Glide



x 4

Hardware

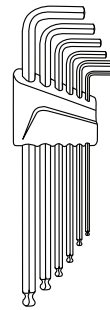
M8 Screw



x12

Tools Needed

Multi-Set of Allen Wrenches
(Metric)



WARNINGS AND DISCLAIMERS

Review full assembly instructions and check that all parts are present before beginning assembly. Heavy or large furniture may require multiple persons in order to properly assemble. If you have questions regarding assembly, contact the manufacturer before continuing. Damage due to incorrect assembly may not be covered by warranty. Do not use product unless all screws are tight. Check all screws for tightness at least every six months. If parts are broken, missing, damaged, or worn, stop use of the product until repairs are made by your dealer using factory authorized parts.

ADVERTENCIAS Y RENUNCIAS

Por favor leer las instrucciones previo a comenzar el proceso de ensamblaje o instalacion. Asegure que cuenta con todas las partes y materiales necesarios. Es posible que los muebles y tableros grandes o pesados, requieran mas de una persona para ensamblarlos/ instalarlos correctamente. Si tiene alguna duda o consulta, comuniquese directamente con el fabricante antes de continuar con el proceso de armado / instalacion del producto. La garantía no cubre daños por errores cometidos durante el proceso de ensamblaje / instalacion. Asegurese de que los tornillos esten ajustados antes de usar el producto. Se recomienda revisar los tornillos periódicamente, por lo menos cada seis meses y asegurarse de que estén bien ajustados. Por favor detenga el uso del producto si hay partes con fallas, rotas o deterioradas con tiempo. Contacte a su distribuidor para que replacen las partes o realicen las reparaciones necesarias con repuestos autorizadas por el fabricante.

AVERTISSEMENTS

Avant de commencer l' assamblage veuillez consulter les instructions complètes et vérifier si vous avez toutes les pièces nécessaires. Il est possible que plusieurs personnes soient nécessaires pour assemble des meubles grand ou lourds. En cas de doute sur l' assamblage contactez le fabricant avant de continuer. Les dommages encourus pendant l'assamblage ne seront pas couvert par la garantie. Ne pas utiliser le produit sans vérifier que tous les vis soient serrées. Vérifiez que les vis sont serrées au moins tous le 6 mois. Si aucune pièce se casse, manque, est endommagée ou usée, arrêtez d' utiliser de produit jusqu'à ce que le vendeur le repaire a l'aide de pièces autorisées par la fabricant.

WARRANTY

For full product warranty details, please visit:

Para obtener información sobre la garantía del producto, consulte este sitio (ingles):

Pour plus d'informations sur la garantie du produit, consultez ce site (anglais):

<https://moorecoinc.com/warranty>

NEED HELP?

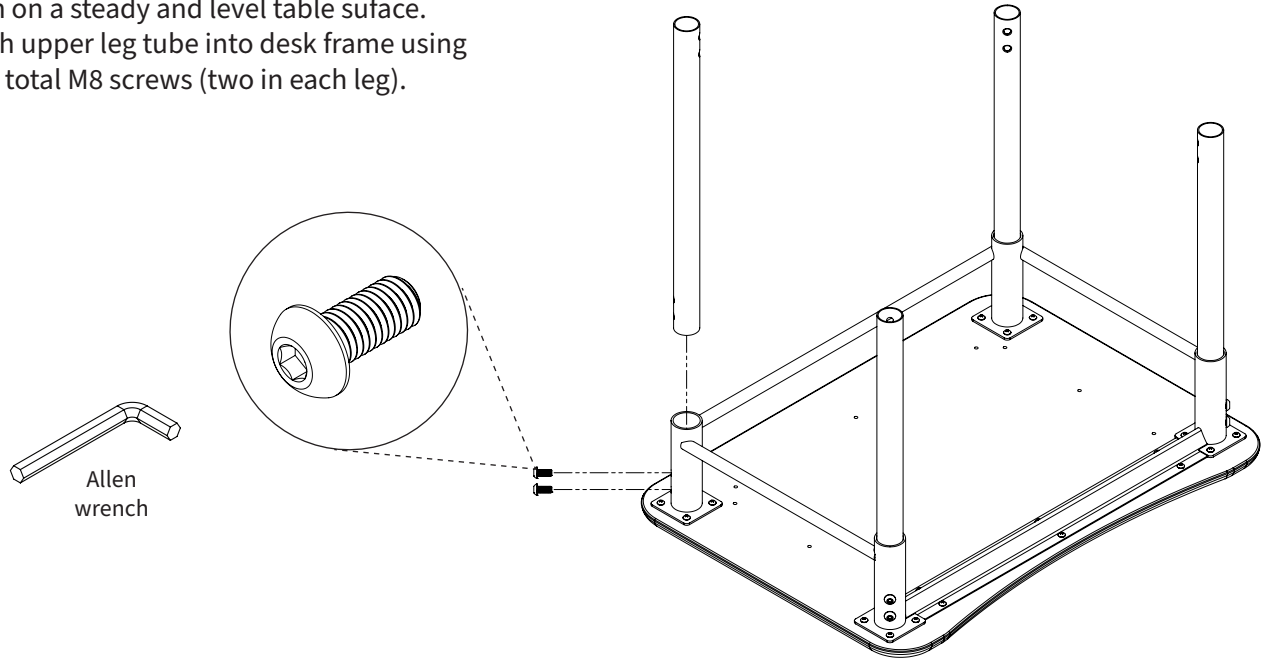
For assistance, contact us by filling out the "Contact Us" form on our website. Select "Installation Assembly Help," and we will respond directly.

www.moorecoinc.com/contact-us/



STEP 1

Place the top and frame assembly upside down on a steady and level table surface. Attach upper leg tube into desk frame using eight total M8 screws (two in each leg).

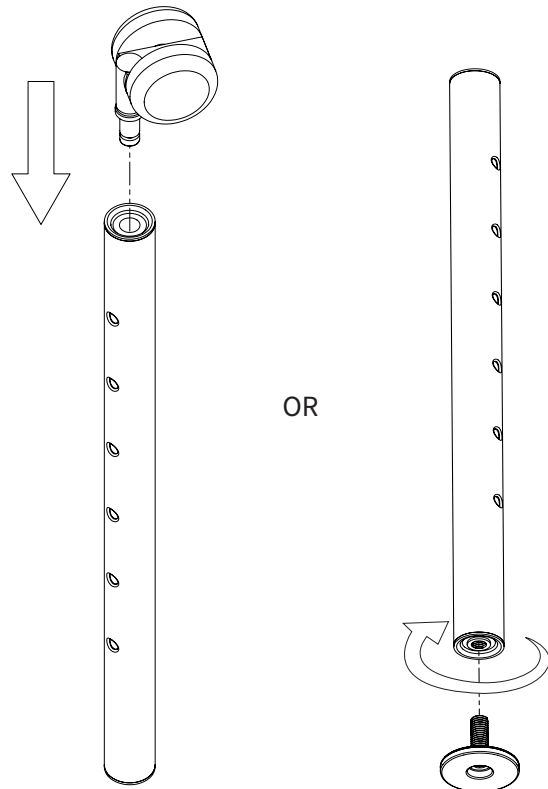
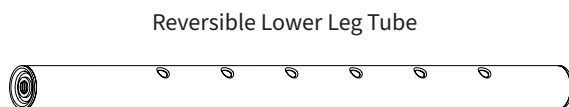


STEP 2

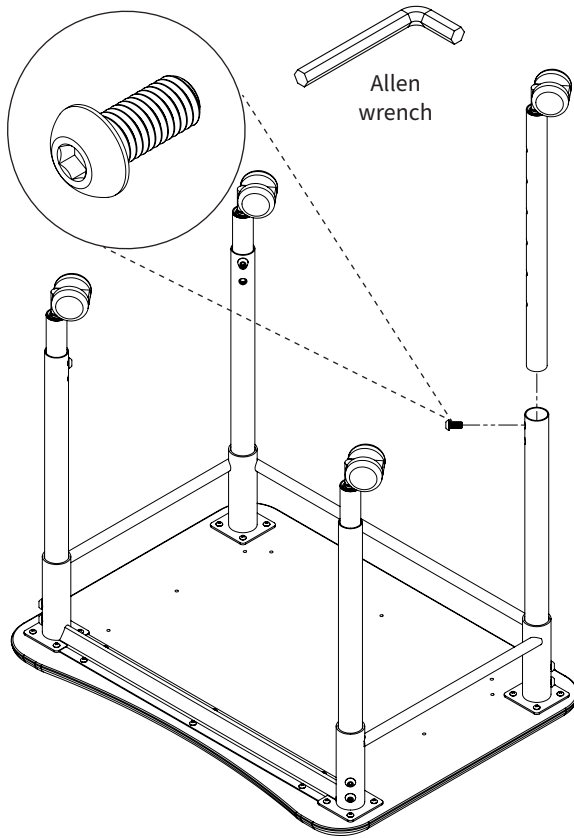
Apply the leg footings. The lower leg tube is reversible, with either end being able to accommodate a caster on one end or a glide on the other end.

In cases where casters are needed, push the casters straight into the non-threaded end of the tube until fully inserted (will feel them snap flush).

In cases where glides are needed, use the threaded side of the lower leg tube, and twist the glides until fully driven. Glides can later be adjusted to best level the desk in the event of having uneven floor surfaces.

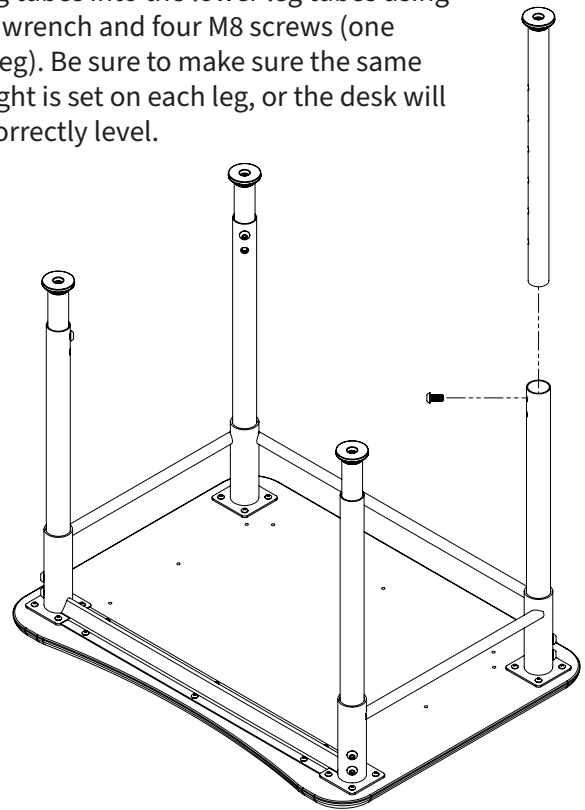


STEP 3



Insert the lower leg tubes into the upper leg tubes. Determine the desired desk height setting by lining up the hole increments. Once height is established, attach the lower leg tubes into the lower leg tubes using an Allen wrench and four M8 screws (one in each leg). Be sure to make sure the same hole height is set on each leg, or the desk will not sit correctly level.

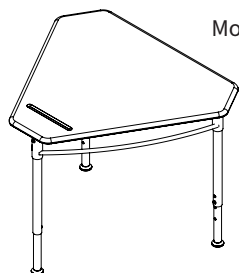
OR



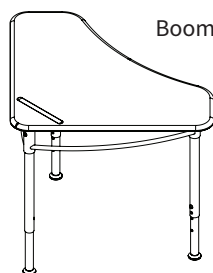
STEP 4

Turn desk right side up. Desk is ready to use.

Note: These steps are the same for each Astute Desk top shape. Apply the same steps for the Monroe or Boomerang versions.



Monroe Top



Boomerang Top



Rectangle Top

ASSEMBLY COMPLETE