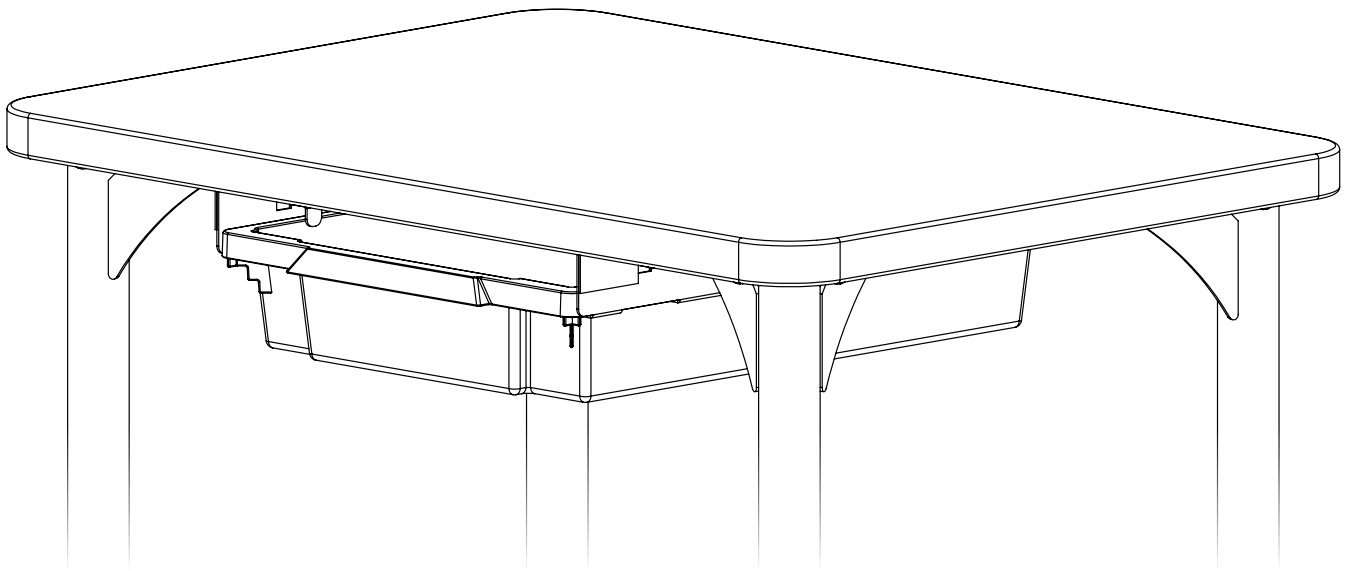


Metal Tote Rail



Part Number: 45139-RAILS



ASSEMBLY INSTRUCTIONS
DO NOT THROW AWAY!

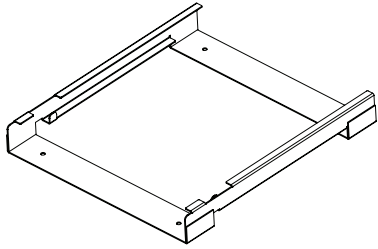


**INSTRUCCIONES DE
ENSEMBLAJE**
NO LA TIRE

**INSTRUCTIONS DE
MONTAGE**
NE PAS JETER

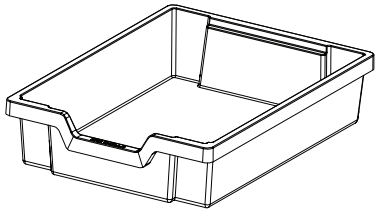
Parts List

Rail Bracket



x2

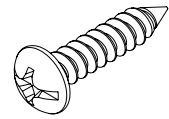
3" Clear Plastic
Tote Tray



x2

Hardware

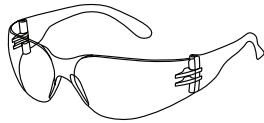
#10 x 1" Wood Screw



x8

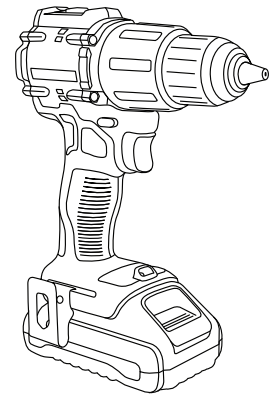
Safety

OSHA Approved Safety Goggles



Tools Needed

Power Drill
(Only needed if there is no
grommet hole in table)



#3 Phillips Screwdriver Bit



WARNINGS AND DISCLAIMERS

Review full assembly instructions and check that all parts are present before beginning assembly. Heavy or large furniture may require multiple persons in order to properly assemble. If you have questions regarding assembly, contact the manufacturer before continuing. Damage due to incorrect assembly may not be covered by warranty. Do not use product unless all screws are tight. Check all screws for tightness at least every six months. If parts are broken, missing, damaged, or worn, stop use of the product until repairs are made by your dealer using factory authorized parts.

ADVERTENCIAS Y RENUNCIAS

Por favor leer las instrucciones previo a comenzar el proceso de ensamblaje o instalacion. Asegure que cuenta con todas las partes y materiales necesarios. Es posible que los muebles y tableros grandes o pesados, requieran mas de una persona para ensamblarlos/ instalarlos correctamente. Si tiene alguna duda o consulta, comuniquese directamente con el fabricante antes de continuar con el proceso de armado / instalacion del producto. La garantía no cubre daños por errores cometidos durante el proceso de ensamblaje / instalacion. Asegurese de que los tornillos esten ajustados antes de usar el producto. Se recomienda revisar los tornillos periódicamente, por lo menos cada seis meses y asegurarse de que estén bien ajustados. Por favor detenga el uso del producto si hay partes con fallas, rotas o deterioradas con tiempo. Contacte a su distribuidor para que replacen las partes o realicen las reparaciones necesarias con repuestos autorizadas por el fabricante.

AVERTISSEMENTS

Avant de commencer l' assamblage veuillez consulter les instructions complètes et vérifier si vous avez toutes les pièces nécessaires. Il est possible que plusieurs personnes soient nécessaires pour assemble des meubles grand ou lourds. En cas de doute sur l' assamblage contactez le fabricant avant de continuer. Les dommages encourus pendant l'assamblage ne seront pas couvert par la garantie. Ne pas utiliser le produit sans vérifier que tous les vis soient serrées. Vérifiez que les vis sont serrées au moins tous le 6 mois. Si aucune pièce se casse, manque, est endommagée ou usée, arrêtez d' utiliser de produit jusqu'à ce que le vendeur le repaire a l'aide de pièces autorisées par la fabricant.

WARRANTY

For full product warranty details, please visit:

Para obtener información sobre la garantía del producto, consulte este sitio (ingles):

Pour plus d'informations sur la garantie du produit, consultez ce site (anglais):

<https://moorecoinc.com/warranty>

NEED HELP?

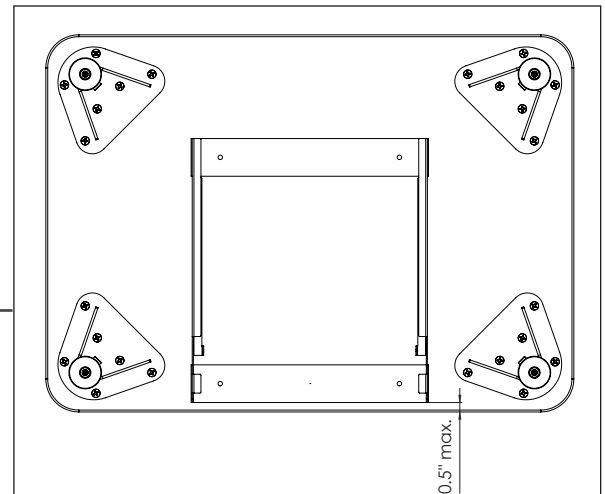
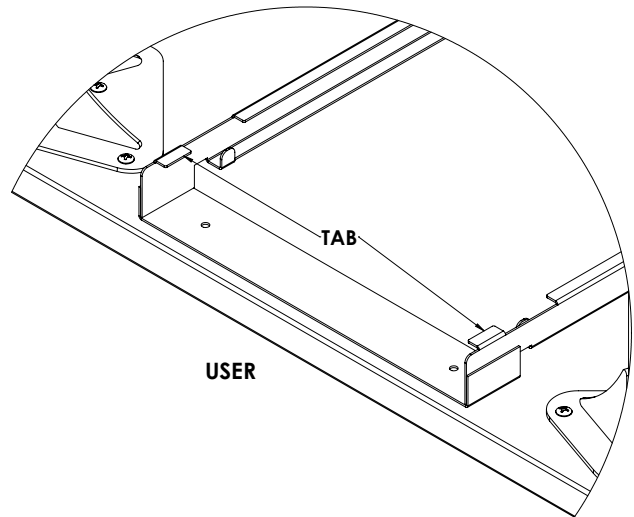
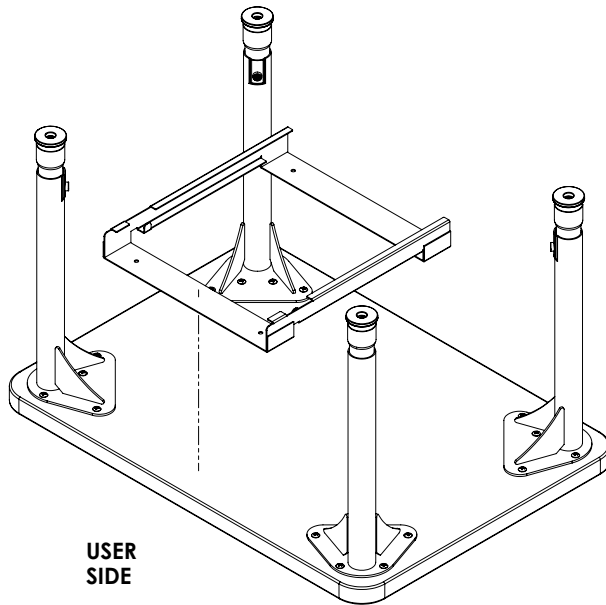
For assistance, contact us by filling out the "Contact Us" form on our website. Select "Installation Assembly Help," and we will respond directly.

www.moorecoinc.com/contact-us/



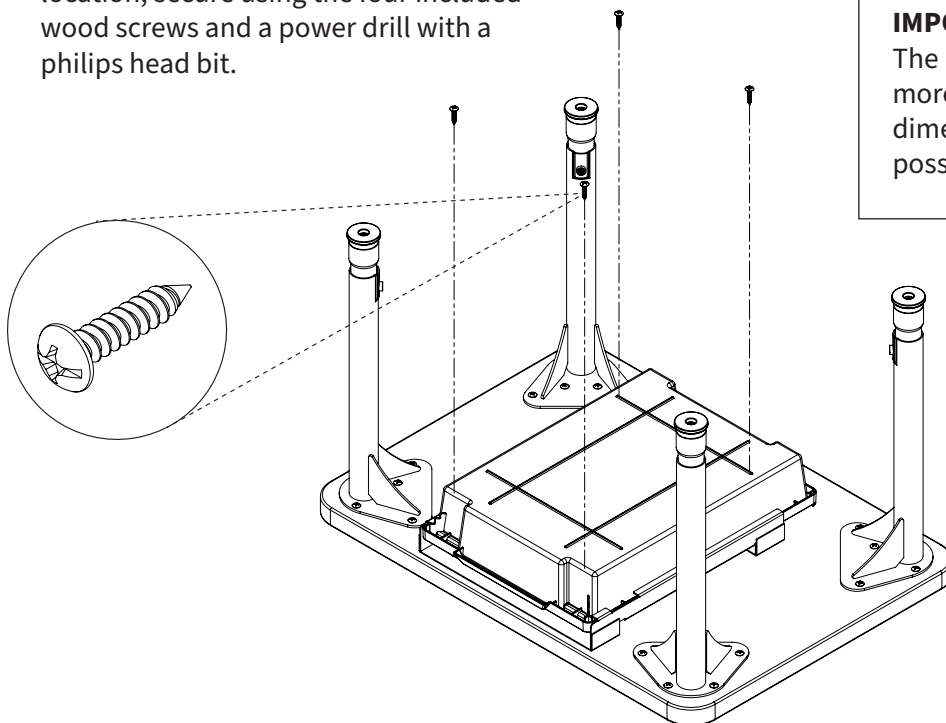
STEP 1

Place and center the rail bracket onto underside of desk. **Make sure the bracket's tabs are facing the user side of the desk.**



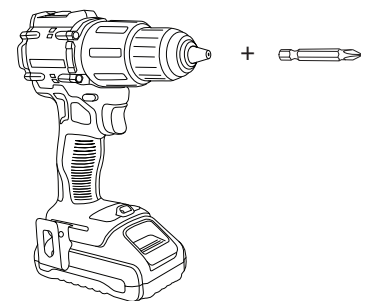
STEP 2

Once the rail bracket is in the proper location, secure using the four included wood screws and a power drill with a philips head bit.

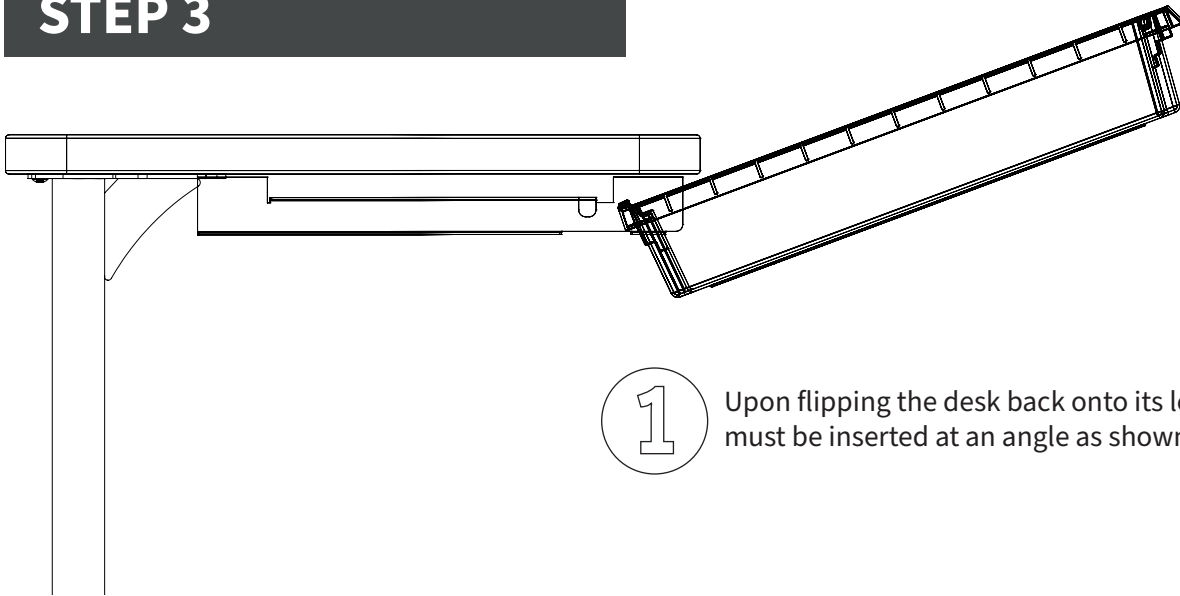


IMPORTANT:

The rail bracket should be placed no more than 1/2" from the table edge. If this dimension is exceeded, then it will not be possible to install the tote onto the rail.

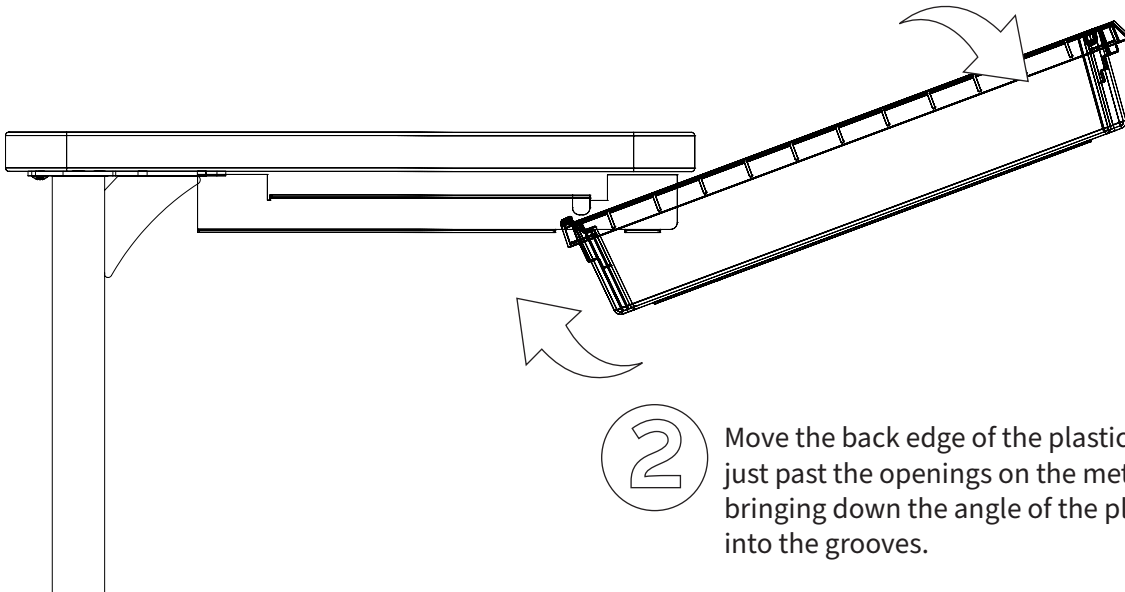


STEP 3



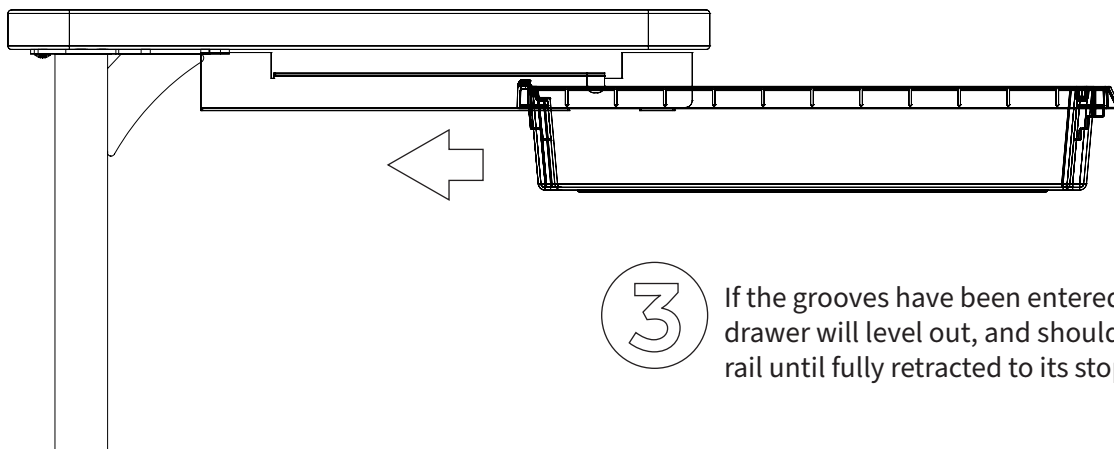
1

Upon flipping the desk back onto its legs, the plastic tote must be inserted at an angle as shown above.



2

Move the back edge of the plastic tote to where it carries just past the openings on the metal rails. Then begin bringing down the angle of the plastic tote, where it enters into the grooves.



3

If the grooves have been entered into correctly, then the drawer will level out, and should slide smoothly along the rail until fully retracted to its stopping point.

ASSEMBLY COMPLETE