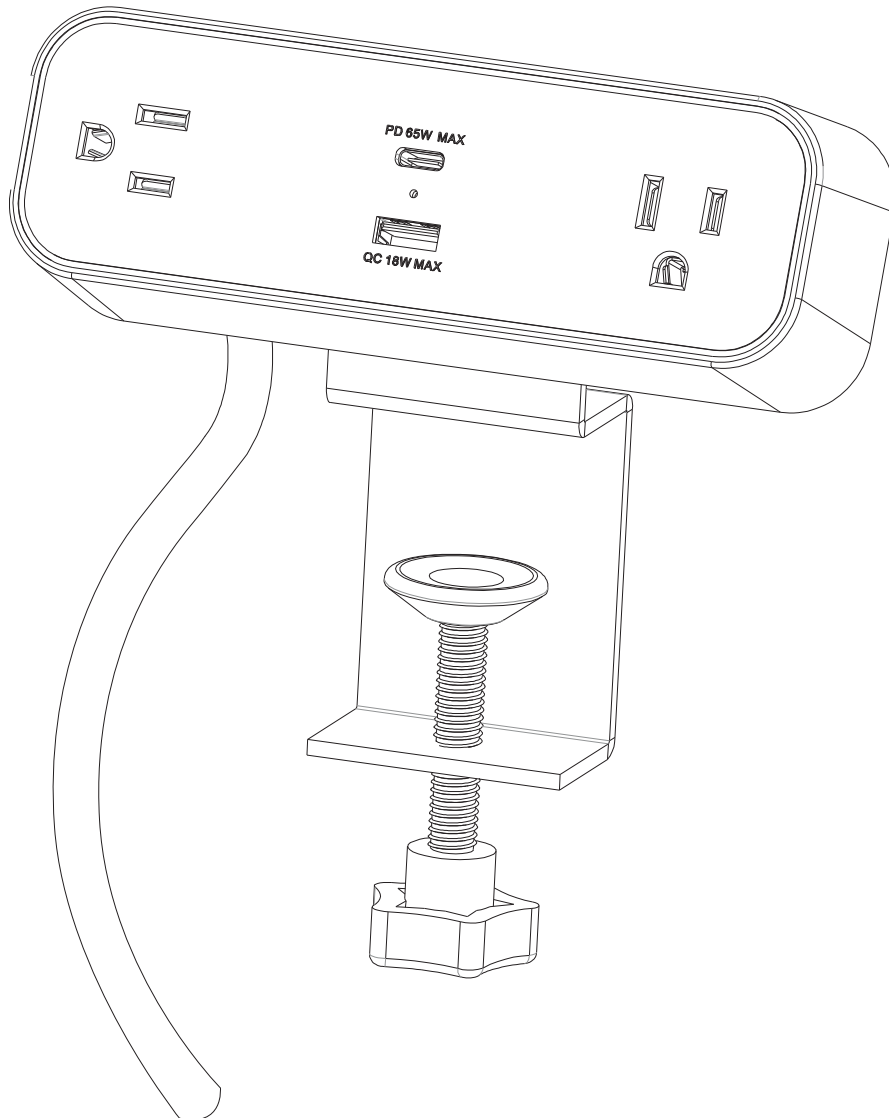


MoorePower® Dual Mount Power Assembly



Part Number: PWRCL-AH-B-AV-BK



MADE IN CHINA



ASSEMBLY INSTRUCTIONS
DO NOT THROW AWAY!

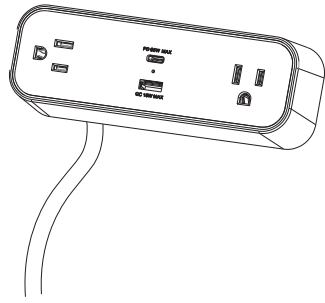


**INSTRUCCIONES DE
ENSEMBLAJE**
NO LA TIRE

**INSTRUCTIONS DE
MONTAGE**
NE PAS JETER

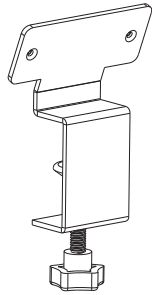
Parts List

Power Module



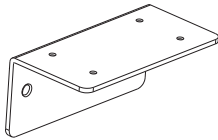
x 1

Clamp Mount



x 1

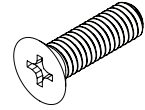
Under Mount Plate



x 1

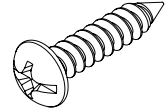
Hardware

M3-0.5 Mounting Screws



x 2

1/2" (14MM) Wood Screws
(For Under Mount Option Only)



x 4

WARNINGS AND DISCLAIMERS

Review full assembly instructions and check that all parts are present before beginning assembly. Heavy or large furniture may require multiple persons in order to properly assemble. If you have questions regarding assembly, contact the manufacturer before continuing. Damage due to incorrect assembly may not be covered by warranty. Do not use product unless all screws are tight. Check all screws for tightness at least every six months. If parts are broken, missing, damaged, or worn, stop use of the product until repairs are made by your dealer using factory authorized parts.

ADVERTENCIAS Y RENUNCIAS

Por favor leer las instrucciones previo a comenzar el proceso de ensamblaje o instalacion. Asegure que cuenta con todas las partes y materiales necesarios. Es posible que los muebles y tableros grandes o pesados, requieran mas de una persona para ensamblarlos/ instalarlos correctamente. Si tiene alguna duda o consulta, comuniquese directamente con el fabricante antes de continuar con el proceso de armado / instalacion del producto. La garantía no cubre daños por errores cometidos durante el proceso de ensamblaje / instalacion. Asegurese de que los tornillos esten ajustados antes de usar el producto. Se recomienda revisar los tornillos periódicamente, por lo menos cada seis meses y asegurarse de que estén bien ajustados. Por favor detenga el uso del producto si hay partes con fallas, rotas o deterioradas con tiempo. Contacte a su distribuidor para que replacen las partes o realicen las reparaciones necesarias con repuestos autorizadas por el fabricante.

AVERTISSEMENTS

Avant de commencer l' assamblage veuillez consulter les instructions complètes et vérifier si vous avez toutes les pièces nécessaires. Il est possible que plusieurs personnes soient nécessaires pour assemble des meubles grand ou lourds. En cas de doute sur l' assamblage contactez le fabricant avant de continuer. Les dommages encourus pendant l'assamblage ne seront pas couvert par la garantie. Ne pas utiliser le produit sans vérifier que tous les vis soient serrées. Vérifiez que les vis sont serrées au moins tous le 6 mois. Si aucune pièce se casse, manque, est endommagée ou usée, arrêtez d' utiliser de produit jusqu'à ce que le vendeur le repaire a l'aide de pièces autorisées par la fabricant.

WARRANTY

For full product warranty details, please visit:

Para obtener información sobre la garantía del producto, consulte este sitio (ingles):

Pour plus d'informations sur la garantie du produit, consultez ce site (anglais):

<https://moorecoinc.com/warranty>

NEED HELP?

For assistance, contact us by filling out the "Contact Us" form on our website. Select "Installation Assembly Help," and we will respond directly.

www.moorecoinc.com/contact-us/



IMPORTANT SAFETY INSTRUCTIONS

SAVE THESE INSTRUCTIONS

⚠ CAUTION: Read all instructions prior to installation. This product is designed for indoor use only. Install the product away from heat-emitting appliances such as radiators or heat registers. DO NOT install where excessive moisture is present. DO NOT connect to an ungrounded outlet. DO NOT connect product to an extension cord or adapter. DO NOT plug in extension cords or any type of power strip. DO NOT drill into any part of the housing or open the housing for any reason. There are no serviceable parts inside.

⚠ WARNING: Use of this equipment in life support applications where failure of this equipment can reasonably be expected to cause the failure of the life support equipment or to significantly affect its safety or effectiveness is not recommended.

⚠ DANGER: Misuse Can Result in FIRE or DEATH by ELECTRICAL SHOCK

⚠ WARNING - Risk of Electric Shock, Fire, and Injury.

⚠ FCC WARNING

This device complies with Part 15 of the FCC Rules. Operation is subject to the following two conditions: (1) this device may not cause harmful interference, and (2) this device must accept any interference received, including interference that may cause undesired operation.

Changes or modifications not expressly approved by the party responsible for compliance could void the user's authority to operate the equipment. This equipment has been tested and found to comply with the limits for a Class B digital device, pursuant to part 15 of the FCC Rules. These limits are designed to provide reasonable protection against harmful interference in a residential installation. This equipment generates uses and can radiate radio frequency energy and, if not installed and used in accordance with the instructions, may cause harmful interference to radio communications. However, there is no guarantee that interference will not occur in a particular installation. If this equipment does cause harmful interference to radio or television reception, which can be determined by turning the equipment off and on, the user is encouraged to try to correct the interference by one or more of the following measures:

- Reorient or relocate the receiving antenna.
- Increase the separation between the equipment and receiver.
- Connect the equipment into an outlet on a circuit different from that to which the receiver is connected.
- Consult the dealer or an experienced radio/TV technician for help.



MADE IN CHINA

Operational Instructions:

1. Plug the desktop power module into a standard grounding receptacle, by fully inserting the plug. Ensure that there are no exposed conductors.
2. The power module will now be providing power.
3. Make sure electronic equipment is turned off before plugging into the outlets. Do not use extension cords to connect equipment to the power module.
4. Connected equipment can now be turned on.
5. Hold the power module firmly against your desk when plugging and removing plugs to prevent it from pulling loose.

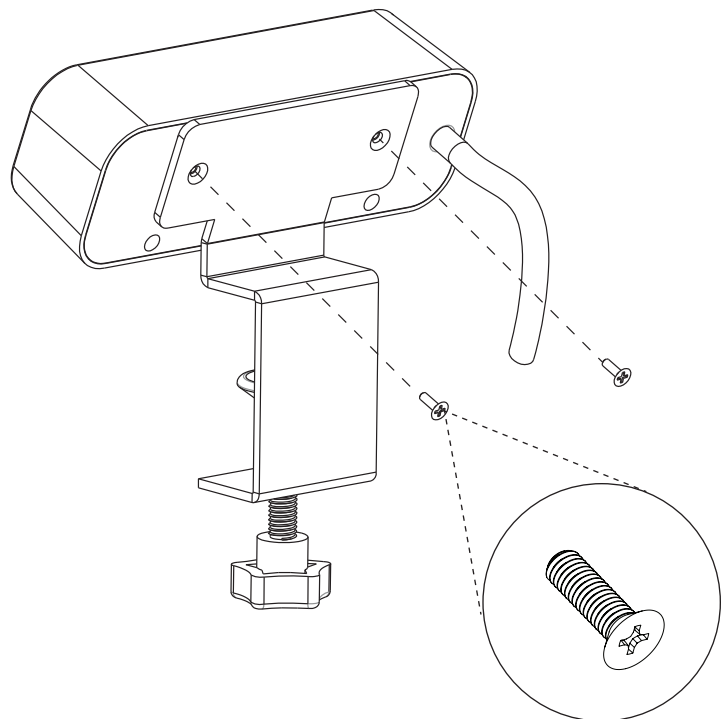
Ports	AC Outlets	2x NEMA 5-15R
	USB Ports	1x USB-A, 1x USB-C
Cord	Length	10'0" (3M)
Electrical Rating	Rating	15A, 125V, AC 60Hz Max, 1875W
	USB-C Output	(5V, 9V, 12V, 15V)DC, 3A, 20VDC, 3.25A PD65W Max.
	USB-A Output	5VDC, 3A; 9VDC, 2A; 12VDC, 1.5A QC18W Max.
Environmental	USB-A+C Output	USB-C (5V, 9V, 12V, 15V)DC, 3A 20VDC, 2.25A PD45W Max. USB-A 5VDC, 3A; 9VDC, 2A; 12VDC, 1.5A QC18W Max.
	Temperature - Operating	0°C to 30°C
	Temperature - Storage	- 10°C to 50°C
Regulatory Compliance	Safety	UL962A, CSA C22.2 No.308
	EMC	FCC Part 15 Subpart B Class B
		CAN ICES-003 (B)/NMB-3 (B)

CLAMP MOUNT INSTALLATION

(FOR MOUNTING TO THE EDGE OF A DESK OR TABLE SURFACE)

STEP 1

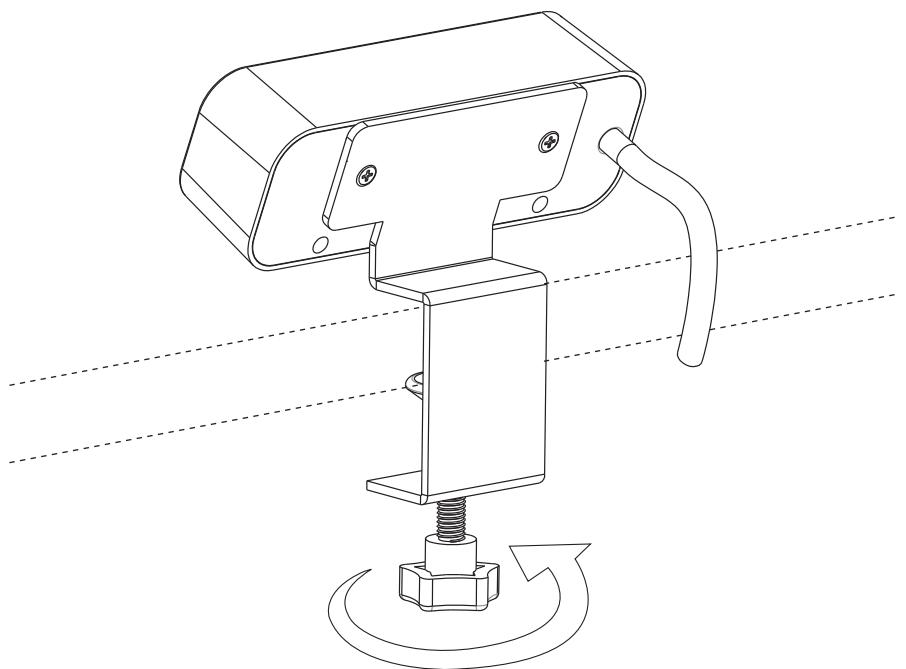
Attach the clamp mount to the back of the power module, and line up the screw holes. Use the two included M3-0.5 mounting screws to attach the mount to the module.



STEP 2

Attach the clamp mount to the desk or table surface. Turn and hand tighten the clamp's bottom knob until the clamp is securely fixed to the desk or table surface.

Note: Desk or table surfaces that have thickness of $2 \frac{1}{8}$ " (2.125") or greater will not be compatible with this product.



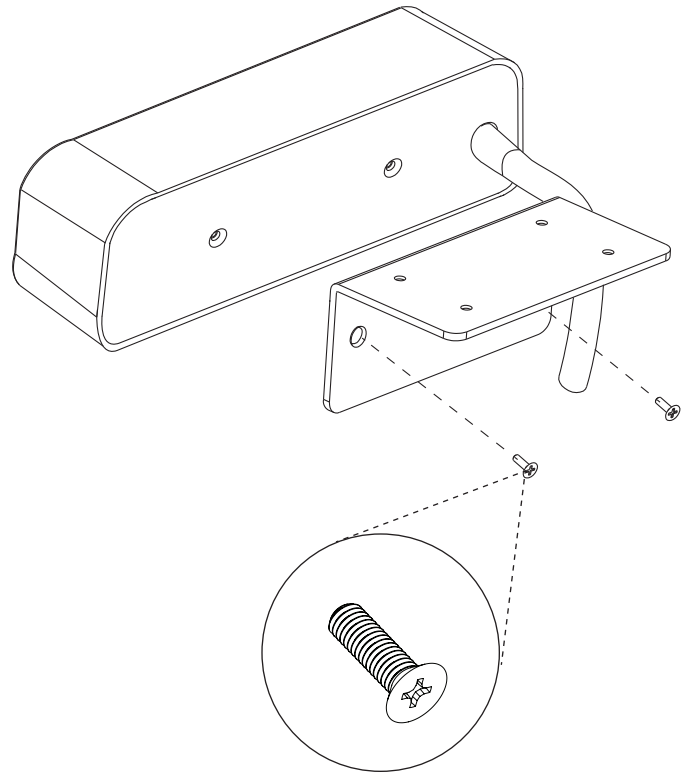
ASSEMBLY COMPLETE

UNDER MOUNT INSTALLATION

(FOR MOUNTING TO UNDER SIDE OF A DESK/TABLE SURFACE OR UNDER SOFT SEATING)

STEP 1

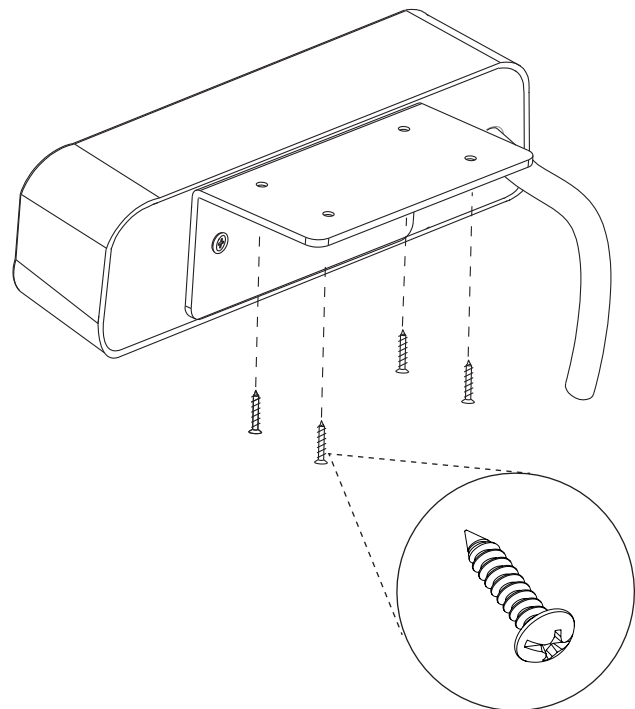
Attach the under mount plate to the back of the power module, and line up the screw holes. Use the two included M3-0.5 mounting screws to attach the plate to the module.



STEP 2

Attach the unit to the underside of intended surface using the four included 1/2" (14MM) wood screws.

Note: If using this unit under soft seating, the unit requires a minimum of 2 1/4" (2.25") of ground clearance.



ASSEMBLY COMPLETE