

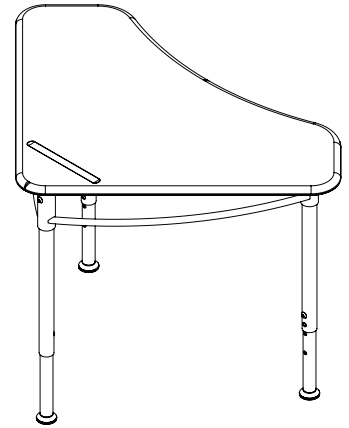
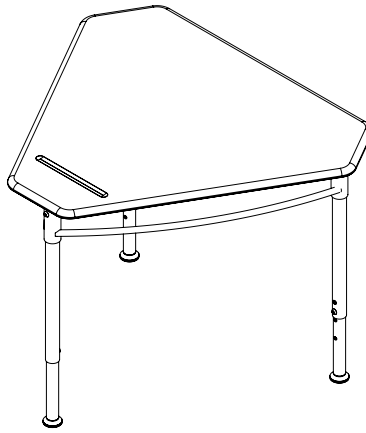
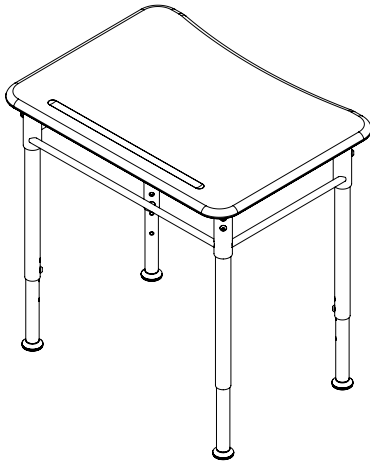
## ASTUTE FLEX DESK

Part Number(s):

AST-REC2620-NB-XX-PL-XXXX

AST-MNR3430-NB-XX-PL-XXXX

AST-BOM3724-NB-XX-PL-XXXX



**SURFACE:** The desktop is made of a hard plastic shell on a 3/4" wood flour core.

**FRAME & LEGS:** The table leg assembly consists of a 1-1/8" diameter 16-gauge powder coated steel leg insert, and a 0.944" 16-gauge chrome plated steel leg insert. The powder coated leg insert is attached to the frame with two M8-1.25 Allen screws. The leg receiver and plate are welded to a 20-gauge frame. Legs are directly mounted and pre-installed to the top with four screws. The steel leg insert has pierced and tapped holes for the screws to be installed and adjusted for height.

### GLIDE / CASTER SPECIFICATIONS:

**Nylon Glides:** The steel legs are standard with nylon glides with a M10-1.5 threaded stem that are preinstalled into the leg. Overall leg adjustment range is from 22-1/8" to 33-1/8" in 1" increments. One M8-1.25 set screw with an Allen wrench is used to tighten the steel leg insert at the chosen height.

**Felt Glides:** Inserts with a M10-1.5 threaded stem that install the same as the preinstalled nylon glides.

**Soft and Hard Casters:** The casters are black finish only. Casters feature 11mm x 22mm push in stem that engages into opposite end of the chrome plated steel leg insert.

### BOOK BOX:

**Metal Book Box:** Book box is made of 20-gauge powder coated steel in platinum and comes pre-installed to the table. See below for dimensions which depend on the desk shape. The corners are bent into a 0.098" radius. Metal book box option is pre-installed only.

**Plastic Book Box:** Book box is made of 5mm thick injection molded polypropylene. trapezoid measures 5" x 21.3" wide x 12.8" narrow x 11.5". Attaches with nine #10 x 1" wood screws.

### OPTIONS / ACCESSORIES:

The top color is available with two different color options:

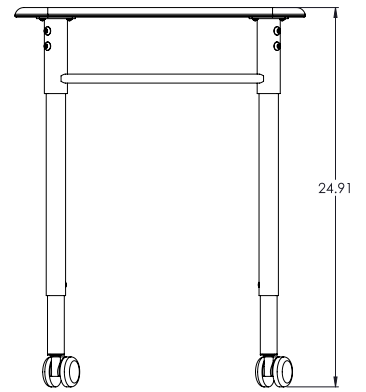
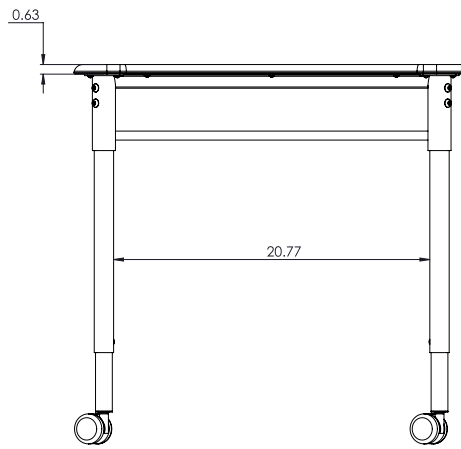
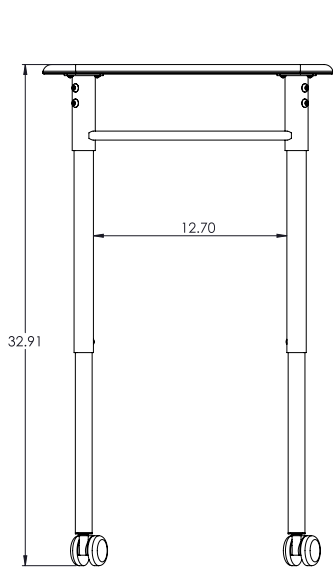
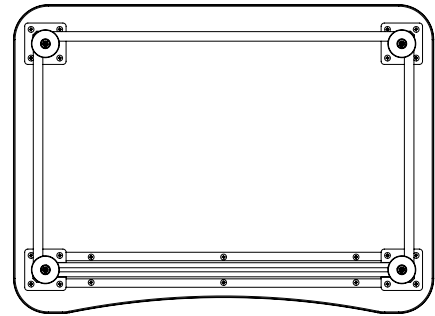
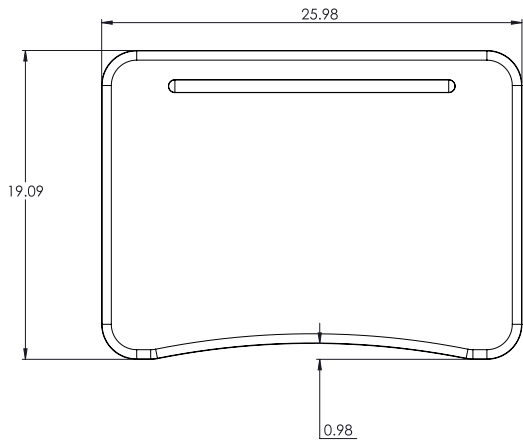


Fusion Maple

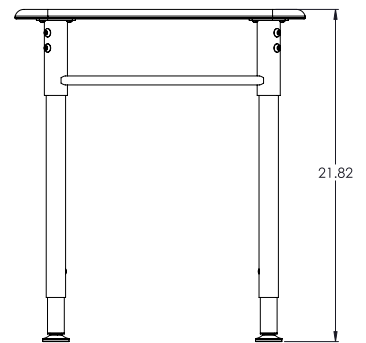
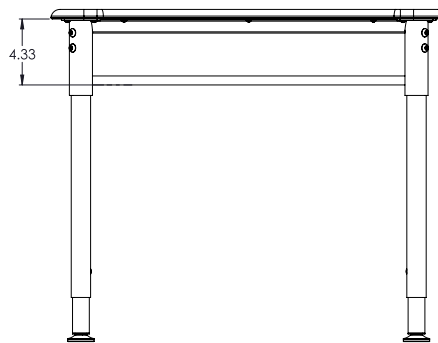
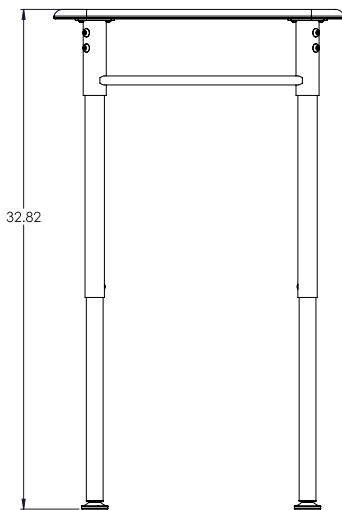


Gray Nebula

ASTUTE FLEX DESK - HARD PLASTIC RECTANGLE TOP - AST-REC2620-NB-XX-PL-XXXX  
 FOOTPRINT & DIMENSIONS (INCHES):



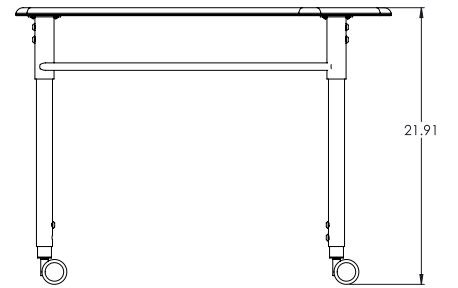
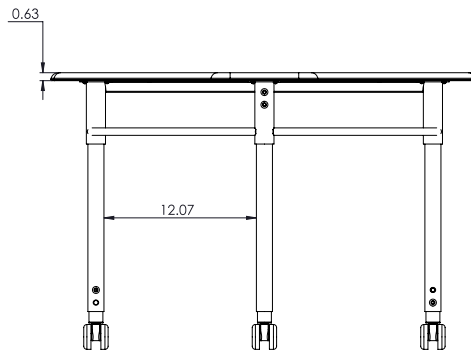
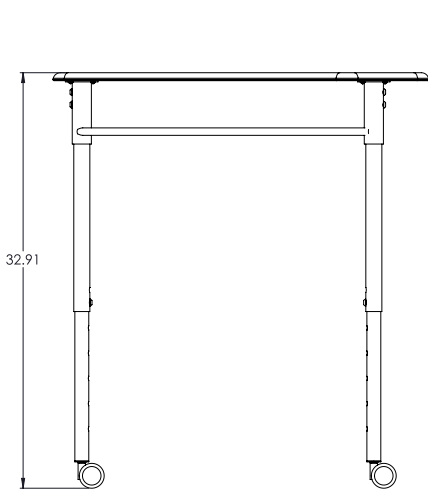
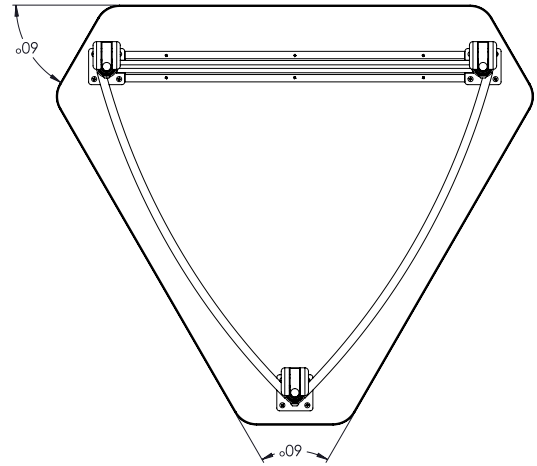
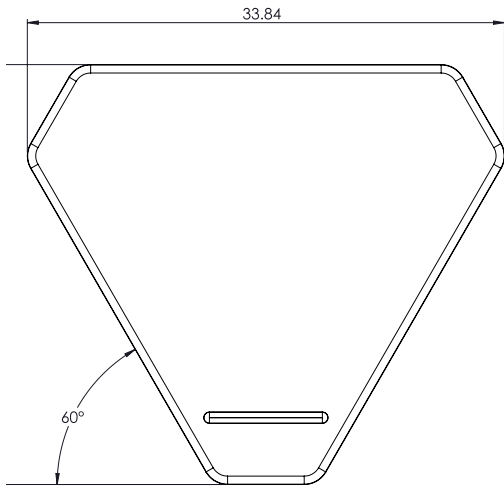
CASTER OPTIONS OVERAL HEIGHTS MIN AND MAX



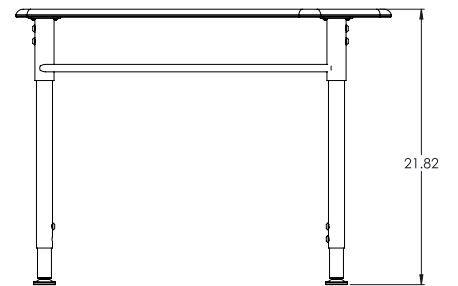
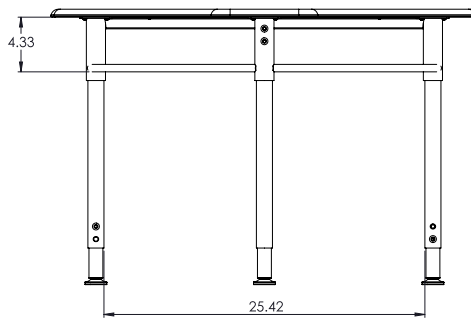
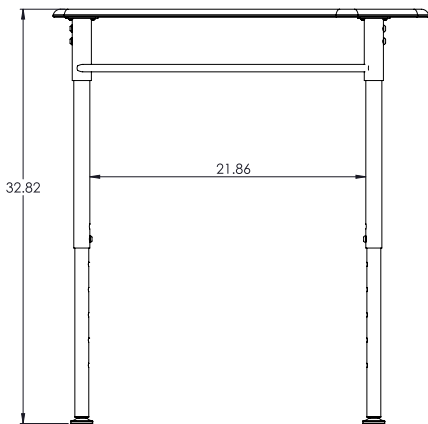
GLIDE OPTIONS OVERAL HEIGHTS MIN AND MAX

ASTUTE FLEX DESK - HARD PLASTIC MONROE TOP -AST-MNR3430-NB-XX-PL-XXXX

FOOTPRINT & DIMENSIONS (INCHES):

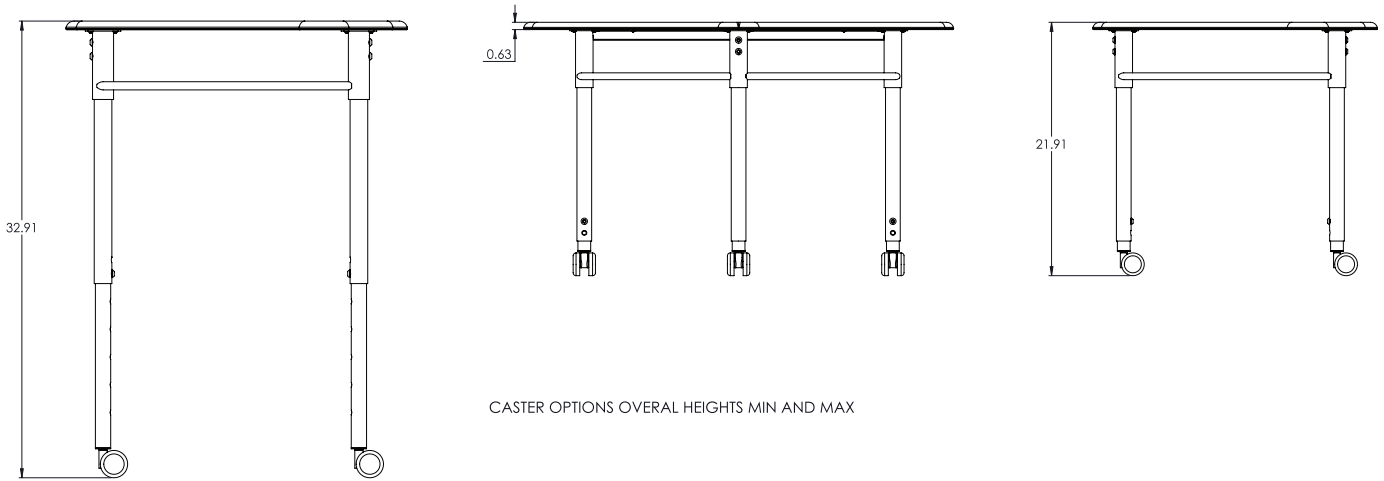
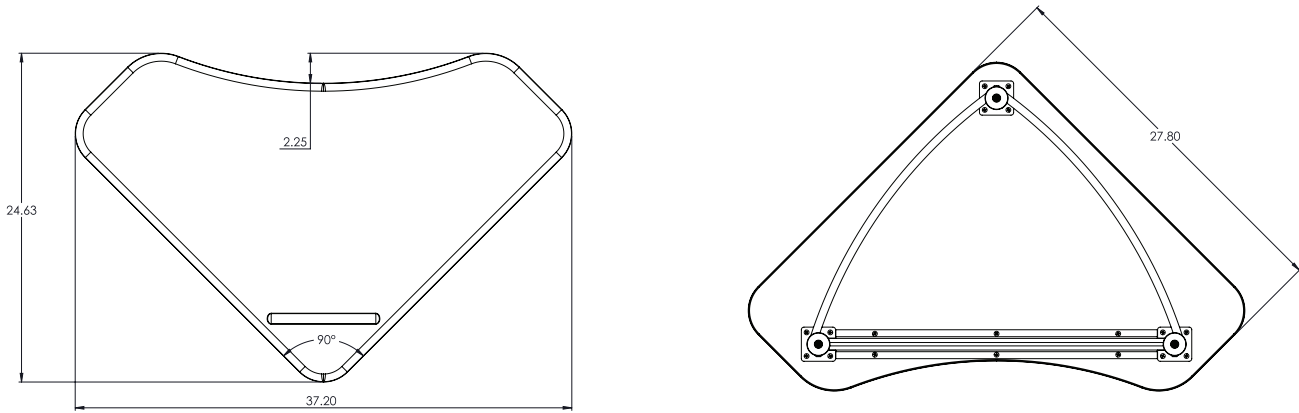


CASTER OPTIONS OVERAL HEIGHTS MIN AND MAX

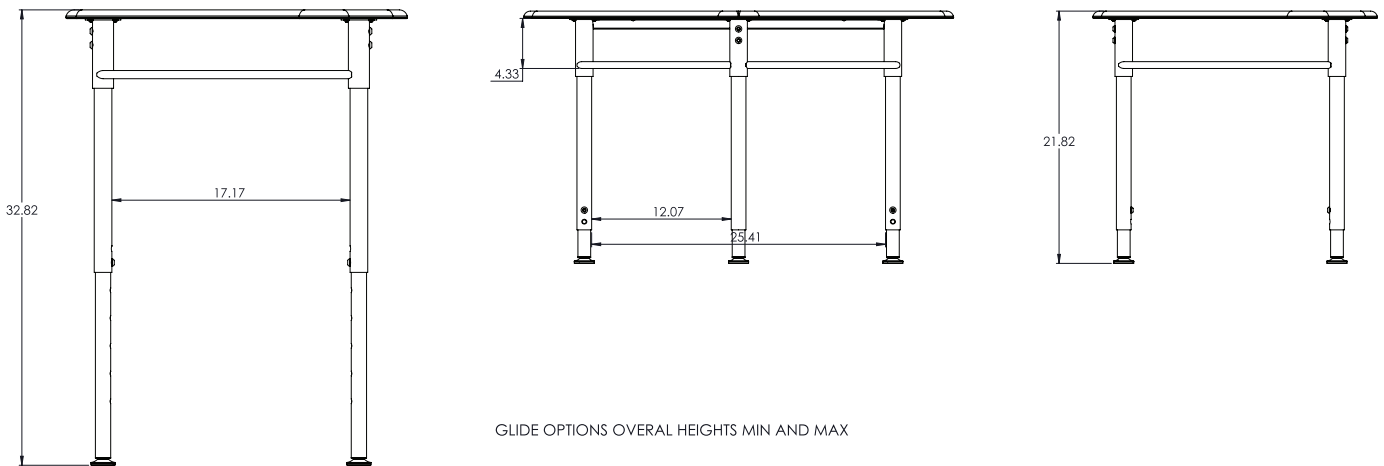


GLIDE OPTIONS OVERAL HEIGHTS MIN AND MAX

ASTUTE FLEX DESK - HARD PLASTIC BOOMERANG TOP - AST-BOM3724-NB-XX-PL-XXXX  
 FOOTPRINT & DIMENSIONS (INCHES):



CASTER OPTIONS OVERAL HEIGHTS MIN AND MAX



GLIDE OPTIONS OVERAL HEIGHTS MIN AND MAX