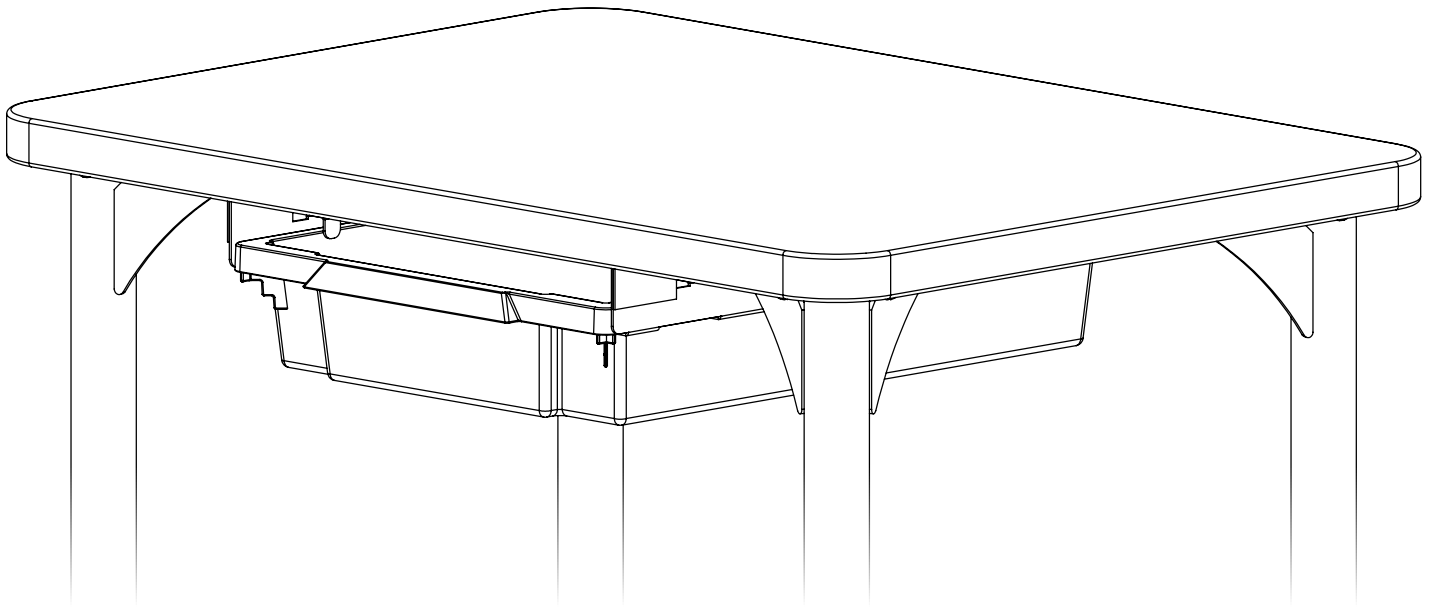
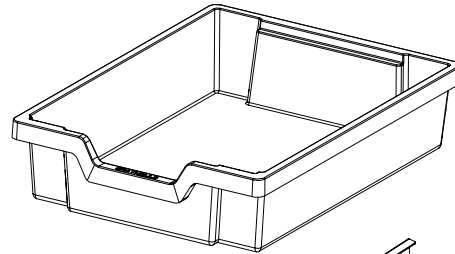


Metal Tote Rail

Part Number(s):
45139-RAILS

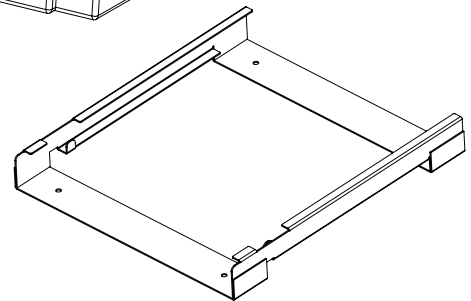
TOTE (SET OF 2):

The 3" deep tote is made of clear polypropylene and functions with the Compass Makerspace Cabinets, but the metal tote tray was designed to accommodate this same tote, for the added application as a drawer under a desk or table.



METAL TOTE RAIL BRACKET (SET OF 2):

16ga steel construction. Finish: powder coat platinum. Screws directly to underside of top surface using provided hardware.



HARDWARE:

8 total #10 x 1" screws to secure the brackets to the underside of desk or table.

DIMENSIONS (INCHES):

