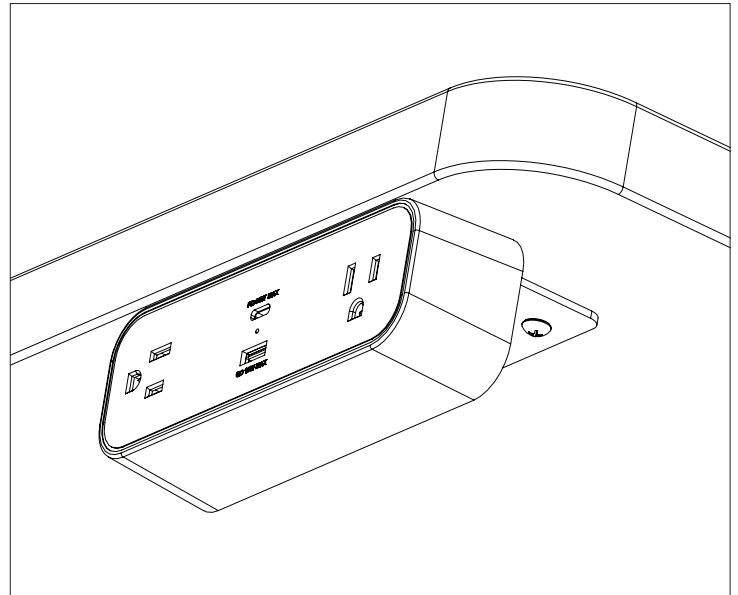
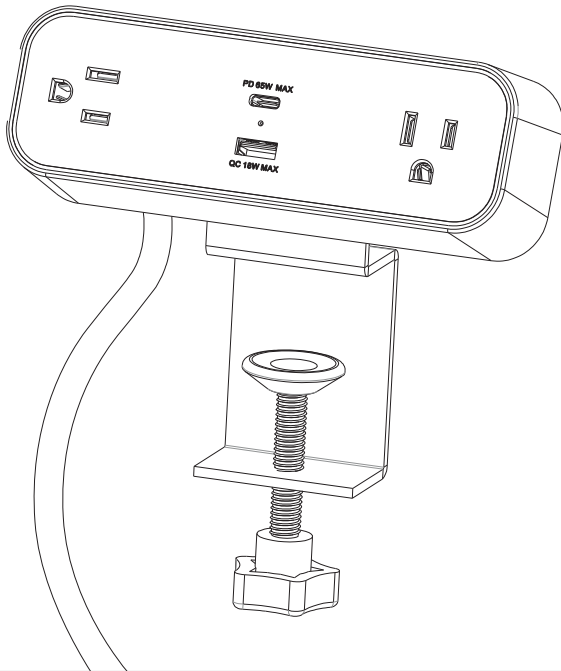


## MoorePower® Dual Mount Power Assembly

Part Number(s):  
PWRCL-AH-B-AV-BK



### OVERVIEW:

The MoorePower® Dual Mount Power Assembly adds instant convenient AC power and USB charging accessibility to your desktop.

Adjusts to fit a desktop/table surface from 3/4" to 2" thick.

Includes two AC outlets, one USB-A charging port, one USB-C charging port, and a ten-foot power cord.

Handy lip can be used as a phone or tablet stand.

UL/cUL listed. Tested for UL 962A (furniture power distribution).

Note: This product does not provide surge protection.

SCS Indoor Advantage Gold Certified.

Ports	AC Outlets	2x NEMA 5-15R
	USB Ports	1x USB-A, 1x USB-C
Cord	Length	10'0" (3M)
	Rating	15A, 125V, AC 60Hz Max, 1875W
Electrical Rating	USB-C Output	(5V, 9V, 12V, 15V)DC, 3A, 20VDC, 3.25A PD65W Max.
	USB-A Output	5VDC, 3A; 9VDC, 2A; 12VDC, 1.5A QC18W Max.
	USB-A+C Output	USB-C (5V, 9V, 12V, 15V)DC, 3A 20VDC, 2.25A PD45W Max. USB-A 5VDC, 3A; 9VDC, 2A; 12VDC, 1.5A QC18W Max.
Environmental	Temperature - Operating	0°C to 30°C
	Temperature - Storage	- 10°C to 50°C
Regulatory Compliance	Safety	UL962A, CSA C22.2 No.308
	EMC	FCC Part 15 Subpart B Class B CAN ICES-003 (B)/NMB-3 (B)

DIMENSIONS (INCHES):

