

iTeach® Platinum Pro Flat Panel Cart & Flat Panel Wall Mount

Part Number(s):
ITEACH-M-PL, ITEACH-W-PL



OVERVIEW: A flat panel display that can be easily adjusted to your preferred height. Comes in either Mobile or Wall Mounted (Stationary).

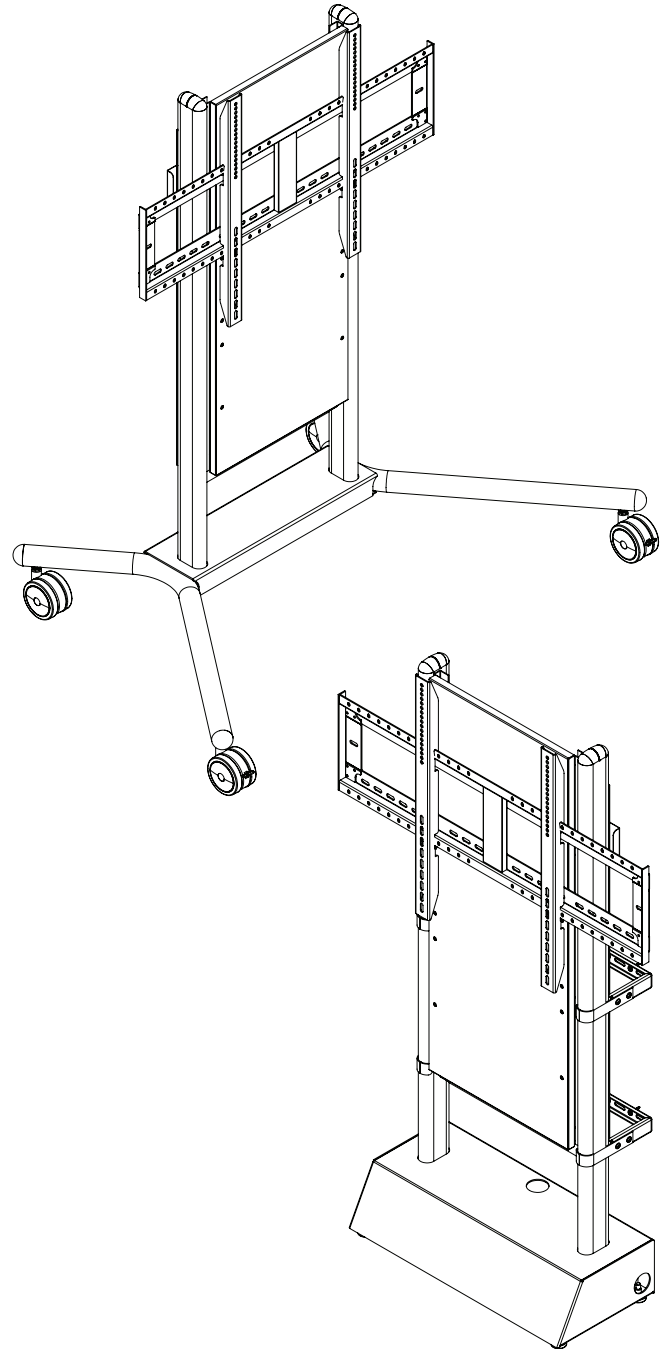
CART FRAME: Upright frame consists of two oval steel tube uprights with seven 11 Ga, 1.6" square weldments across its length. Uprights are spaced 18.2" apart and supported by a welded steel frame and steel cover bolted to the back of upright assembly. Back side of cart has integrated dock to safely store your power controls (remote). Back side also has cord winder brackets. Uprights are topped with matching rounded nylon end caps.

MOBILE BASE: 2" OD X 14GA Steel tubular and 4MM plate steel welded frame. Bolts to the upright frame with 4-M12 bolts and washers. Tubular ends have matching (color) nylon end caps. 100mm casters included.

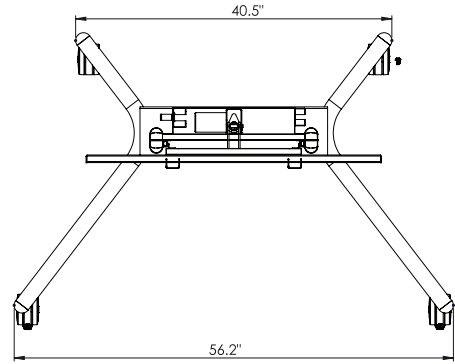
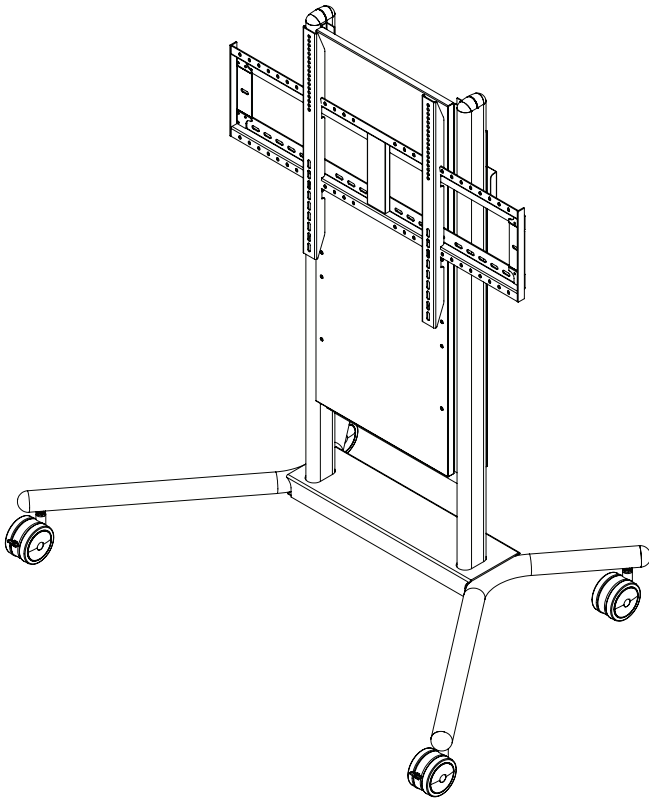
WALL MOUNT / STATIONARY BASE: 3MM steel construction. Bolts to the upright frame with 4-M12 bolts and washers. M10 nylon glides included. Wall brackets included - 2.5mm steel construction.

DISPLAY MOUNT: 800 x 600 VESA flat panel brackets are secured by placing onto horizontal mount and tightening two lower adjustment screws on the bottom of the brackets. The horizontal mount attaches to the upright frame using 4-m8 screws in 3 different locations (high, mid, low).

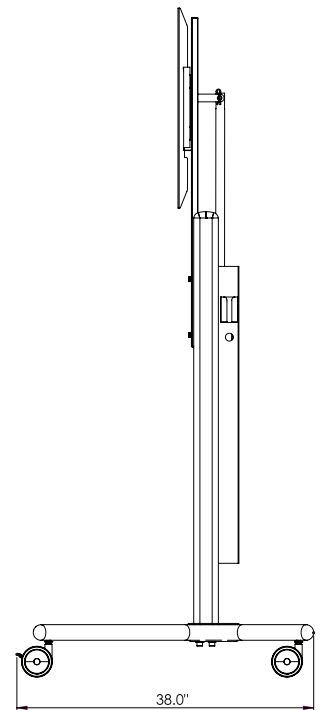
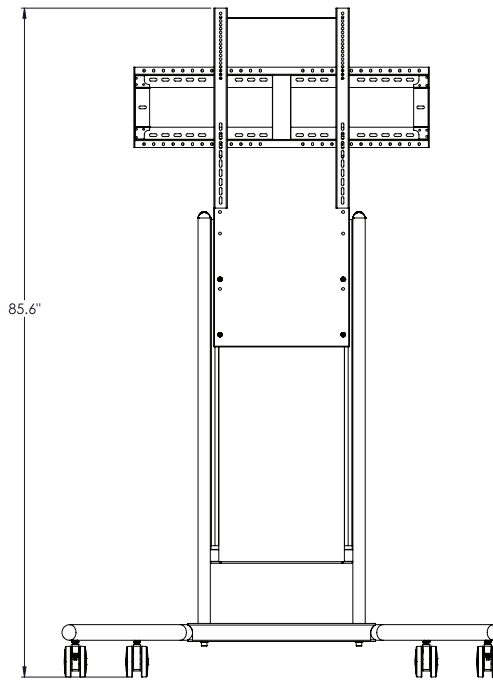
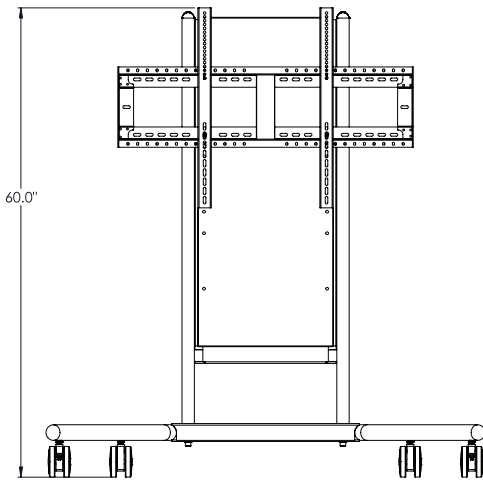
HEIGHT ADJUSTMENT: Both mobile and wall units adjust from 59" to 83".



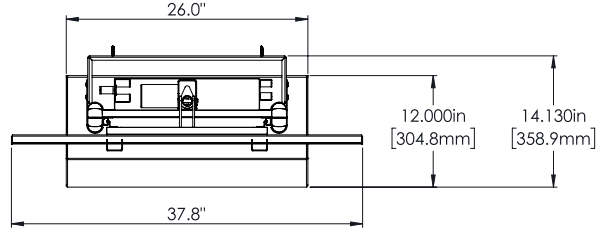
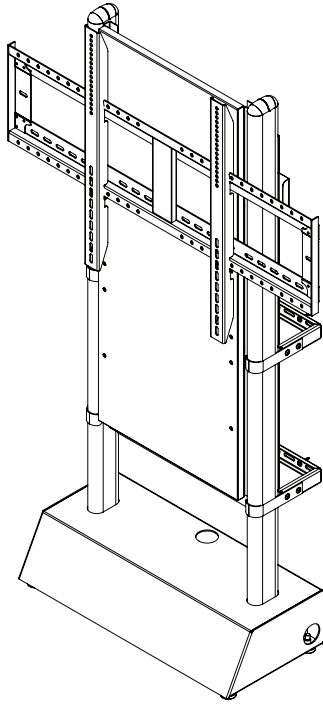
ITEACH® PLATINUM PRO FLAT PANEL CART
FOOTPRINT & DIMENSIONS (INCHES):



ADJUSTMENT RANGE: ~25.5"



ITEACH® PLATINUM PRO FLAT PANEL WALL MOUNT
 FOOTPRINT & DIMENSIONS (INCHES):



ADJUSTMENT RANGE: ~25.5"

