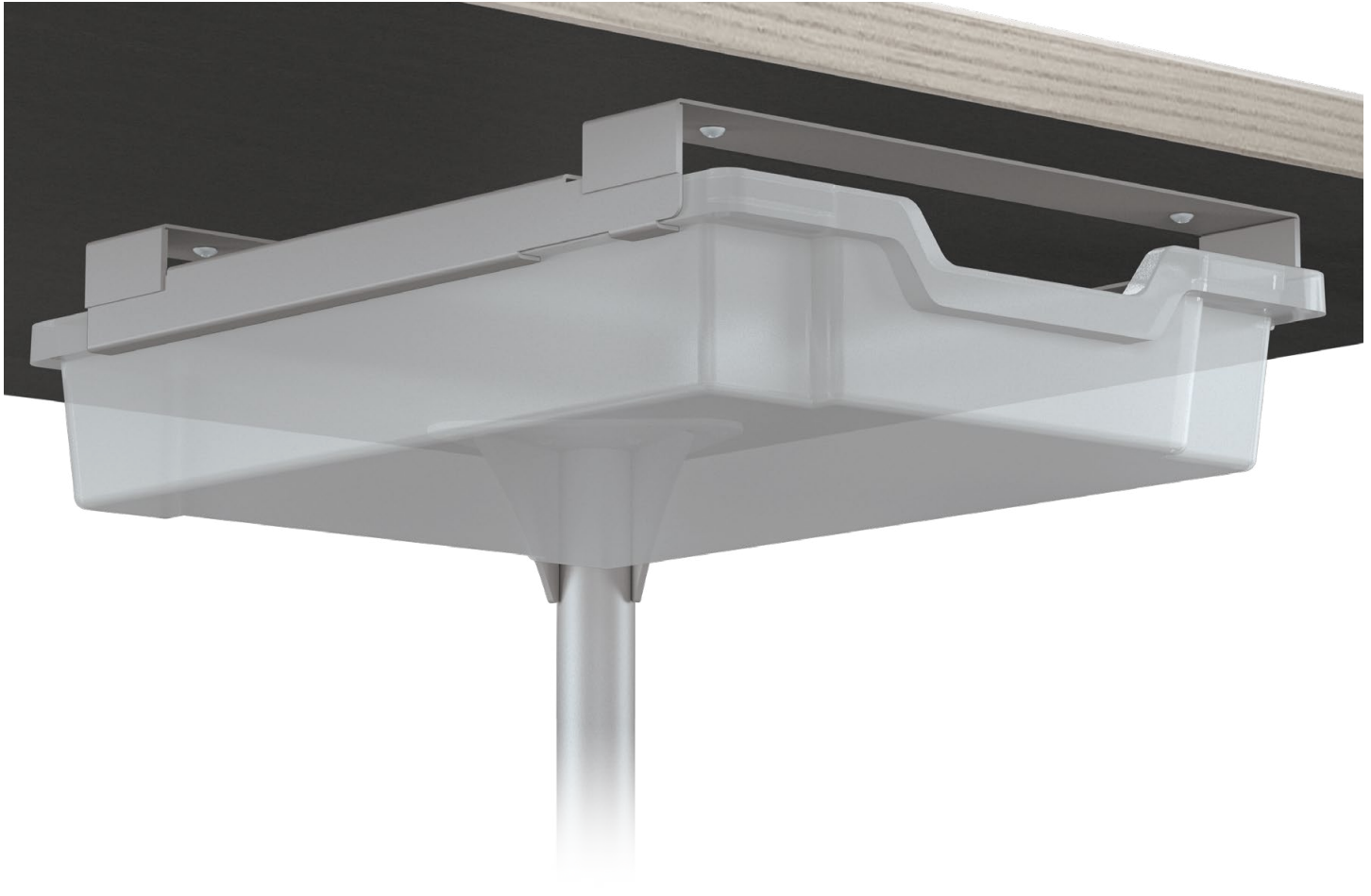


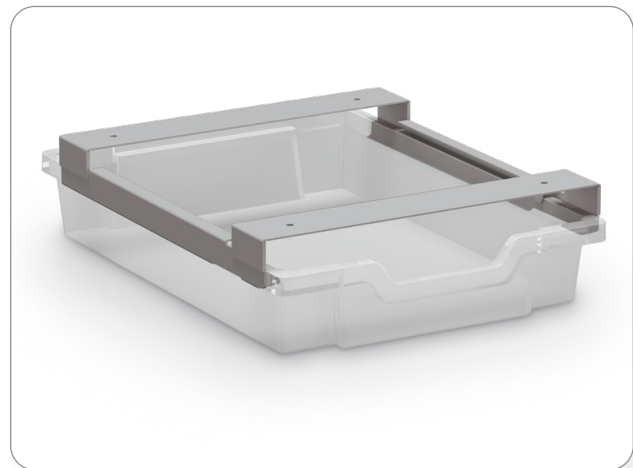
Student Desk Tote Tray III

Platinum



Stronger support. Cleaner integration. Smarter under-desk storage.

The Student Desk Tote Tray III Platinum updates MooreCo's under-desk storage solution with a durable full metal frame for improved strength and stability. Designed as an upgrade to Tote Tray II, it replaces plastic rails with a platinum-finished metal frame that coordinates with MooreCo furniture. Mounted beneath a desktop or worksurface, Tote Tray III provides instant enclosed storage while holding the same translucent plastic tote used in the Compass cabinet line. The result is a clean, durable, and standardized storage solution built for everyday classroom use. SCS Indoor Advantage Gold Certified.



Part No.	Item	Dimensions	Ship Wt.
45139	Student Desk Tote Tray III Platinum	5.7"H x 14.9"W x 17"D	10 lbs



MooreCo Inc.
2885 Lorraine Avenue | Temple, TX 76501
p: 800.749.2258 | f: 866.888.7483
www.moorecoinc.com



Rev M033126